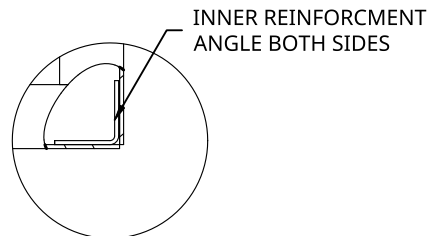
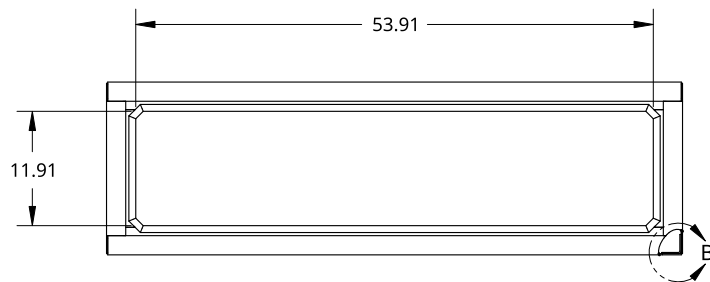


2

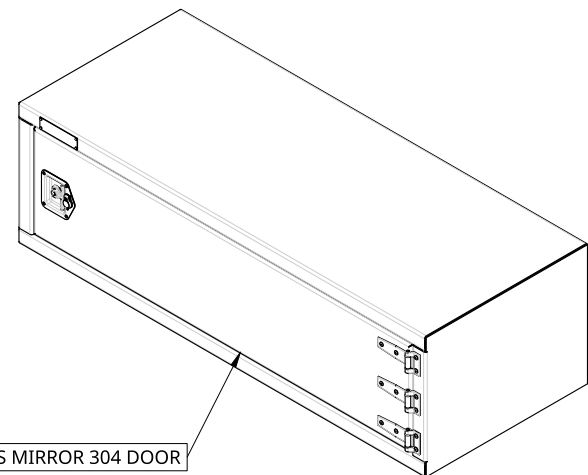
1

B

B

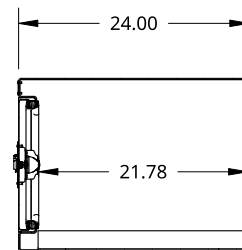
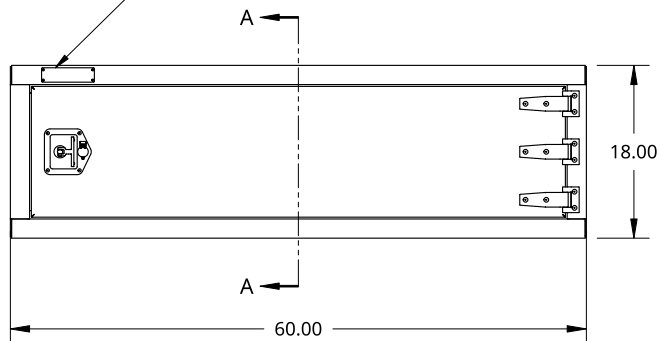


DETAIL B
SCALE 1:6



18G SS MIRROR 304 DOOR

SMALL SIZE TREBOR NAME PLATE



SECTION A - A

A

A

2

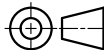
1

THIS DOCUMENT IS THE PROPERTY OF TREBOR MANUFACTURING. ANY UNAUTHORIZED REPRODUCTION WILL BE PROSECUTED TO THE FULL EXTENT OF THE LAW

UNLESS OTHERWISE SPECIFIED, DIMENSIONS ARE IN INCHES

.XX = ±.1-
.XXX = ±.015- ANGULAR = ±1°
.XXXX = ±.005- FRACTIONAL = ±1/8

THIRD ANGLE PROJECTION



DRAWN SHAWN CROCKER 10/18/2021

MATERIAL

1/8 ALU MILL

PART NO. TRIDPLSS1860R REV. A

ONE DOOR RECESSED DOOR TOOL BOX - 24 X 18 X 60 - 18G SS MIRROR DOOR - X1 T-HANDLE - X3 HINGES - OPEN RIGHT

SIZE A DWG NO. D12496 REV. A

SCALE 1:20 WEIGHT 88.27 LB SHEET 1 of 1