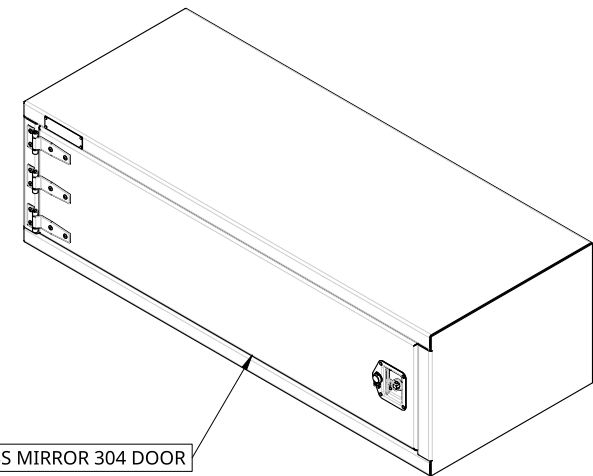
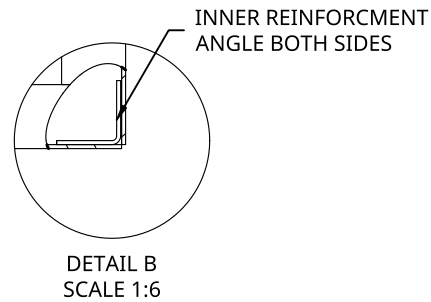
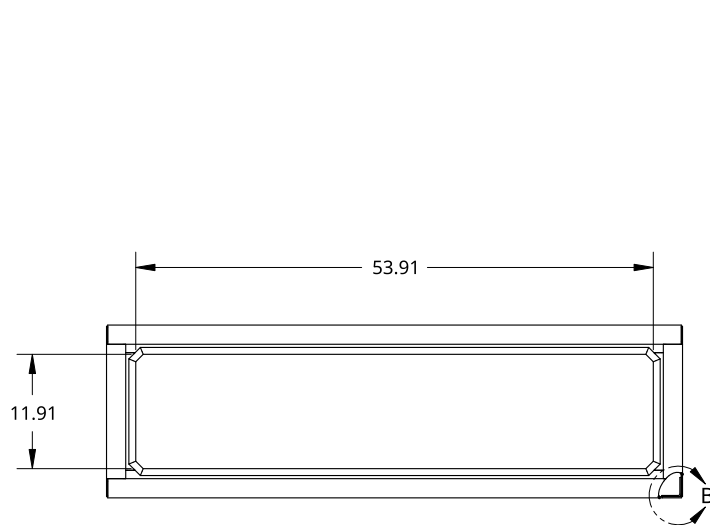


2

1

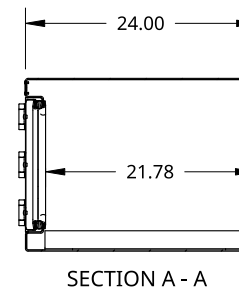
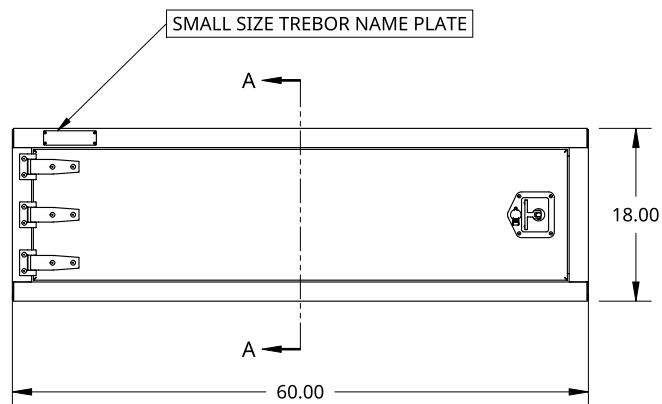
B



B



A

A



THIS DOCUMENT IS THE PROPERTY OF TREBOR MANUFACTURING. ANY UNAUTHORIZED REPRODUCTION WILL BE PROSECUTED TO THE FULL EXTENT OF THE LAW				PART NO. TRIDPLSS1860L		REV. A
UNLESS OTHERWISE SPECIFIED, DIMENSIONS ARE IN INCHES .XX = ±.1- .XXX = ±.015- .XXXX = ±.005-				ONE DOOR RECESSED DOOR TOOL BOX - 24 X 18 X 60 - 18G SS MIRROR DOOR - X1 T-HANDLE - X3 HINGES - OPEN LEFT		
THIRD ANGLE PROJECTION		DRAWN SHAWN CROCKER 10/18/2021		SIZE A		REV. A
		MATERIAL 1/8 ALU MILL		DWG. NO. D12495		
		SCALE 1:20		WEIGHT 88.27 LB		SHEET 1 of 1

2

1