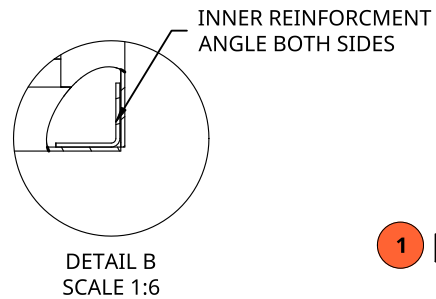
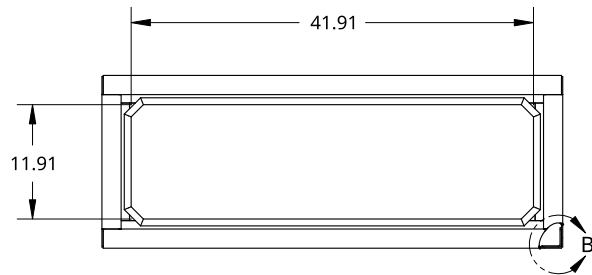


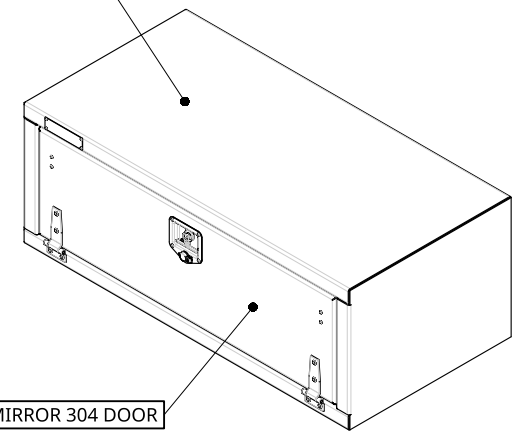
2

1

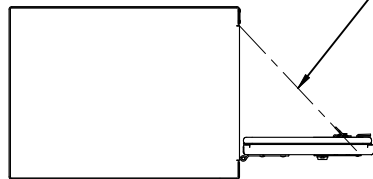


2 1/8 ALU MILL BODY

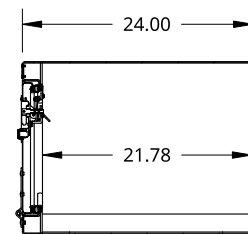
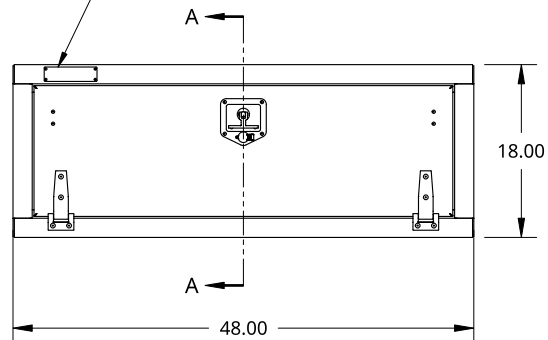
1 18G SS MIRROR 304 DOOR



X2 DOOR CHAIN TO HOLD
DOOR AT 90 DEG.



SMALL SIZE TREBOR NAME PLATE



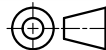
SECTION A - A

THIS DOCUMENT IS THE PROPERTY OF TREBOR
MANUFACTURING. ANY UNAUTHORIZED REPRODUCTION
WILL BE PROSECUTED TO THE FULL EXTENT OF THE LAW

UNLESS OTHERWISE SPECIFIED,
DIMENSIONS ARE IN INCHES

.XX = ±.1-
.XXX = ±.015- ANGULAR = ±1°
.XXXX = ±.005- FRACTIONAL = ±1/8

THIRD ANGLE PROJECTION



DRAWN BY	SHAWN CROCKER	08/02/2021
CHANGED BY	RAUL MANRIQUE	12/16/2022

MATERIAL
1/8 ALU MILL BODY, 18G S/S
MIRROR DOOR

PART NO. TRIDPLSS1848 REV. B

ONE DOOR RECESSED DOOR TOOL BOX - 24 X 18 X 48 - 18G SS MIRROR
DOOR - X1 T-HANDLE - OPEN DOWN

SIZE A DWG NO. D9602 REV. B

SCALE 1:20	WEIGHT 70.46 LB	SHEET 1 of 1
------------	-----------------	--------------

2

1

B

A

B

A