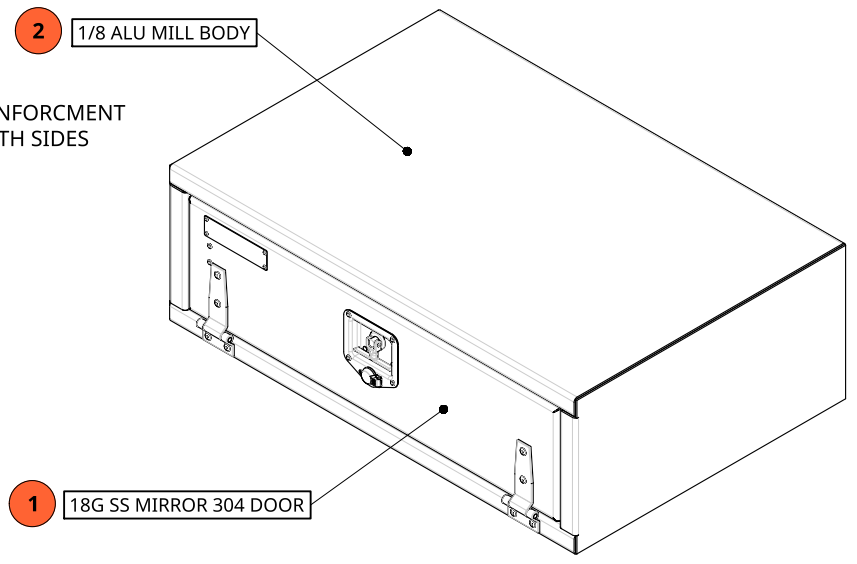
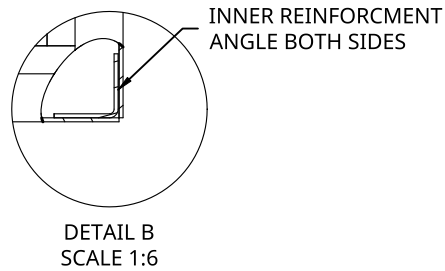
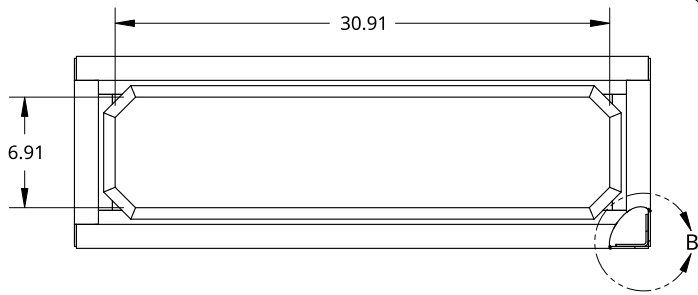


2

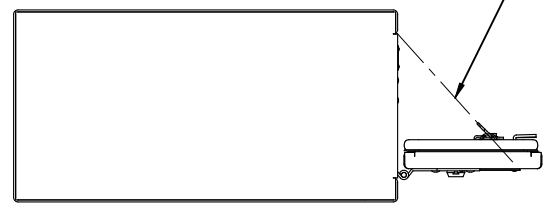
1

B

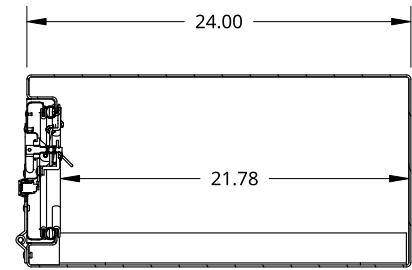
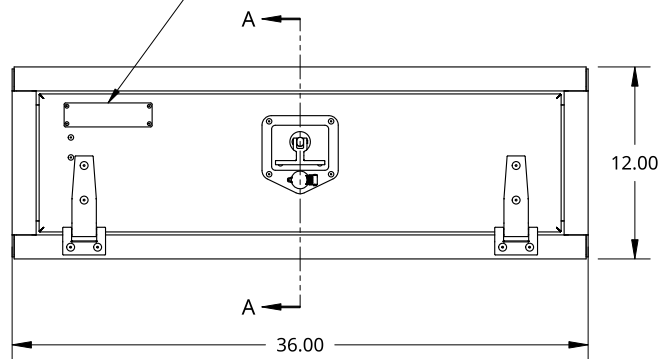
A



X1 DOOR CHAIN TO HOLD DOOR AT 90 DEG.



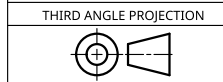
SMALL SIZE TREBOR NAME PLATE



SECTION A - A

THIS DOCUMENT IS THE PROPERTY OF TREBOR MANUFACTURING. ANY UNAUTHORIZED REPRODUCTION WILL BE PROSECUTED TO THE FULL EXTENT OF THE LAW

UNLESS OTHERWISE SPECIFIED, DIMENSIONS ARE IN INCHES
 .XX = ±.1-
 .XXX = ±.015- ANGULAR = ±1°
 .XXXX = ±.005- FRACTIONAL = ±1/8



DRAWN BY SHAWN CROCKER 08/02/2021
 CHANGED BY RAUL MANRIQUE 12/16/2022

MATERIAL
 1/8 ALU MILL BODY, 18G S/S MIRROR DOOR

PART NO. TRIDPLSS1236 REV. B

ONE DOOR RECESSED DOOR TOOL BOX - 24 X 12 X 36 - 18G SS MIRROR DOOR - X1 T-HANDLE - OPEN DOWN - WITH 1.5IN FRAME

SIZE A DWG NO. D9600 REV. B

SCALE 1:12 WEIGHT 45.75 LB SHEET 1 of 1

2

1