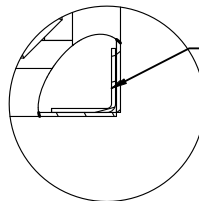
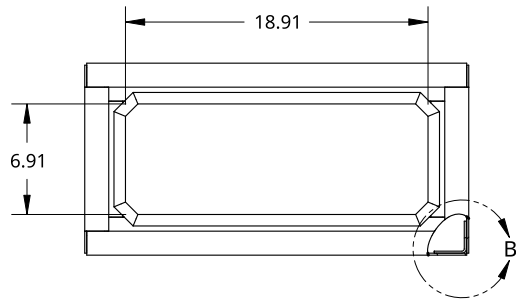


2

1

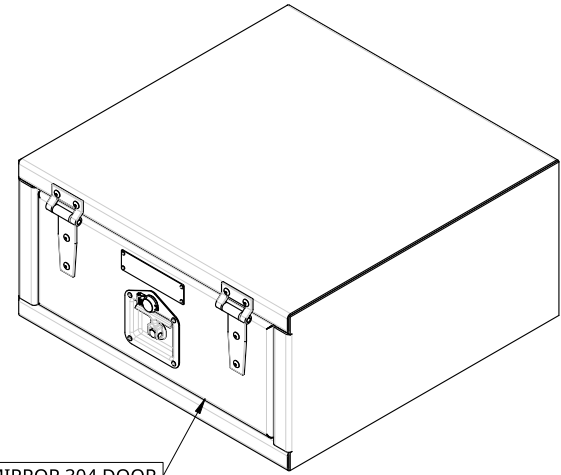
B

A



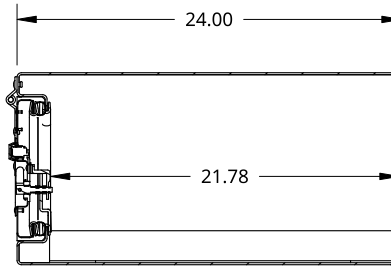
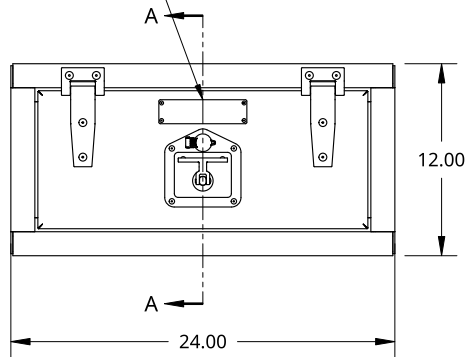
INNER REINFORCEMENT  
ANGLE BOTH SIDES

DETAIL B  
SCALE 1:6



18G SS MIRROR 304 DOOR

SMALL SIZE TREBOR NAME PLATE



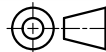
SECTION A - A

THIS DOCUMENT IS THE PROPERTY OF TREBOR  
MANUFACTURING. ANY UNAUTHORIZED REPRODUCTION  
WILL BE PROSECUTED TO THE FULL EXTENT OF THE LAW

UNLESS OTHERWISE SPECIFIED,  
DIMENSIONS ARE IN INCHES

.XX = ±.1-      ANGULAR = ±1°  
.XXX = ±.015-      FRACTIONAL = ±1/8  
.XXXX = ±.005-

THIRD ANGLE PROJECTION



DRAWN      SHAWN CROCKER      10/18/2021

MATERIAL  
1/8 ALU MILL

PART NO.		TRIDPLSS1224U		REV.	A
ONE DOOR RECESSED DOOR TOOL BOX - 24 X 12 X 24 - 18G SS MIRROR DOOR - X1 T-HANDLE - OPEN UP - WITH 1.5IN FRAME					
SIZE	A	DWG NO.	D12485		REV.
SCALE	1:12	WEIGHT	36.32 LB	SHEET	1 of 1

2

1

A