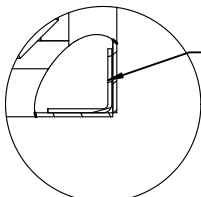
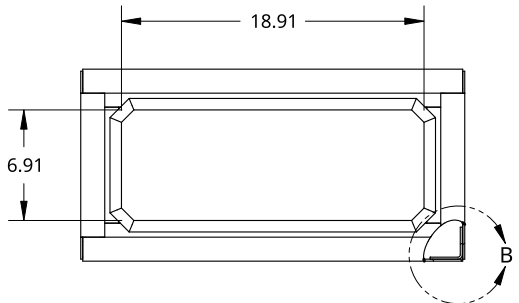


2

1

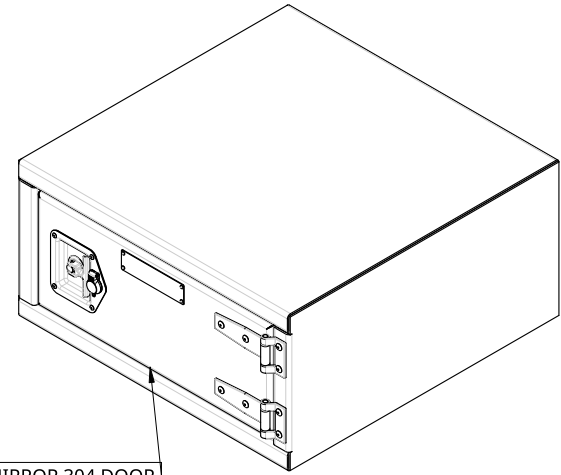
B

A



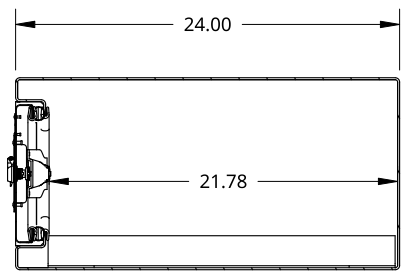
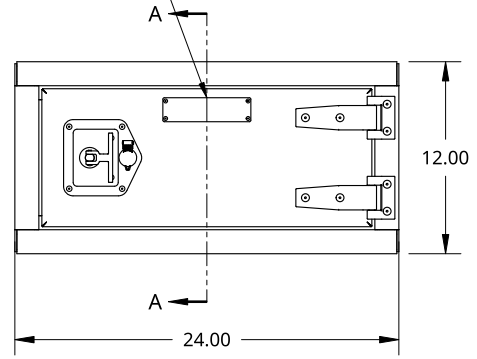
INNER REINFORCEMENT  
ANGLE BOTH SIDES

DETAIL B  
SCALE 1:6



18G SS MIRROR 304 DOOR

SMALL SIZE TREBOR NAME PLATE



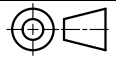
SECTION A - A

THIS DOCUMENT IS THE PROPERTY OF TREBOR MANUFACTURING. ANY UNAUTHORIZED REPRODUCTION WILL BE PROSECUTED TO THE FULL EXTENT OF THE LAW

UNLESS OTHERWISE SPECIFIED, DIMENSIONS ARE IN INCHES

.XX = ±.1-  
.XXX = ±.015- ANGULAR = ±1°  
.XXXX = ±.005- FRACTIONAL = ±1/8

THIRD ANGLE PROJECTION



DRAWN SHAWN CROCKER 10/18/2021

MATERIAL  
1/8 ALU MILL

PART NO. TRIDPLSS1224R REV. A

ONE DOOR RECESSED DOOR TOOL BOX - 24 X 12 X 24 - 18G SS MIRROR DOOR - X1 T-HANDLE - OPEN RIGHT - WITH 1.5IN FRAME

SIZE A DWG. NO. D12484 REV. A

SCALE 1:12 WEIGHT 36.32 LB SHEET 1 of 1

2

1

B

A