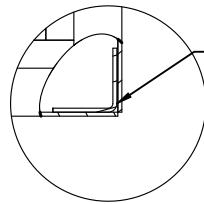
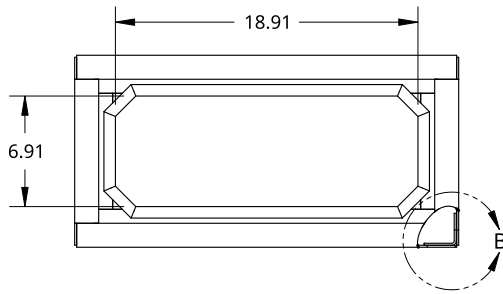


2

1

B

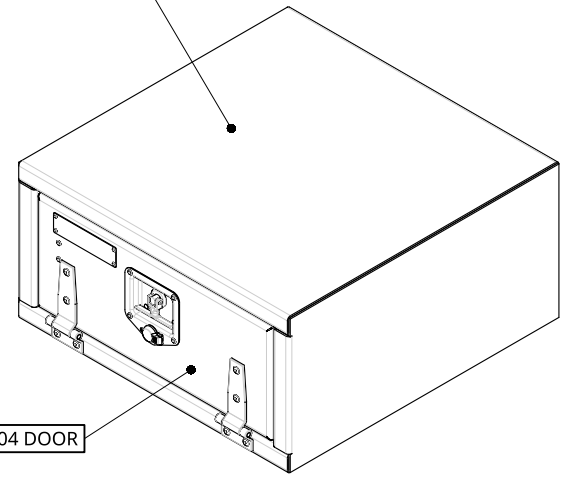
A



INNER REINFORCEMENT
ANGLE BOTH SIDES

DETAIL B
SCALE 1:6

2 1/8 ALU MILL BODY

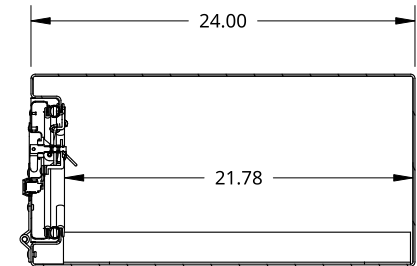
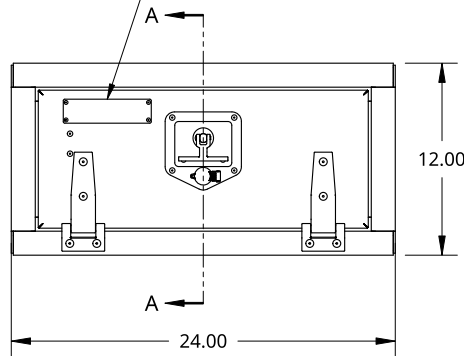


1 18G SS MIRROR 304 DOOR

X1 DOOR CHAIN TO HOLD
DOOR AT 90 DEG.



SMALL SIZE TREBOR NAME PLATE



SECTION A - A

B

A

2

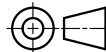
1

THIS DOCUMENT IS THE PROPERTY OF TREBOR
MANUFACTURING. ANY UNAUTHORIZED REPRODUCTION
WILL BE PROSECUTED TO THE FULL EXTENT OF THE LAW

UNLESS OTHERWISE SPECIFIED,
DIMENSIONS ARE IN INCHES

.XX = ±.1-
.XXX = ±.015- ANGULAR = ±1°
.XXXX = ±.005- FRACTIONAL = ±1/8

THIRD ANGLE PROJECTION



DRAWN BY	SHAWN CROCKER	08/01/2021
CHANGED BY	RAUL MANRIQUE	12/16/2022

MATERIAL
1/8 ALU MILL BODY, 18G S/S
MIRROR DOOR

PART NO. TRIDPLSS1224 REV. B

ONE DOOR RECESSED DOOR TOOL BOX - 24 X 12 X 24 - 18G SS MIRROR
DOOR - X1 T-HANDLE - OPEN DOWN - WITH 1.5IN FRAME

SIZE A DWG NO. D9599 REV. B

SCALE 1:12	WEIGHT 33.61 LB	SHEET 1 of 1
------------	-----------------	--------------