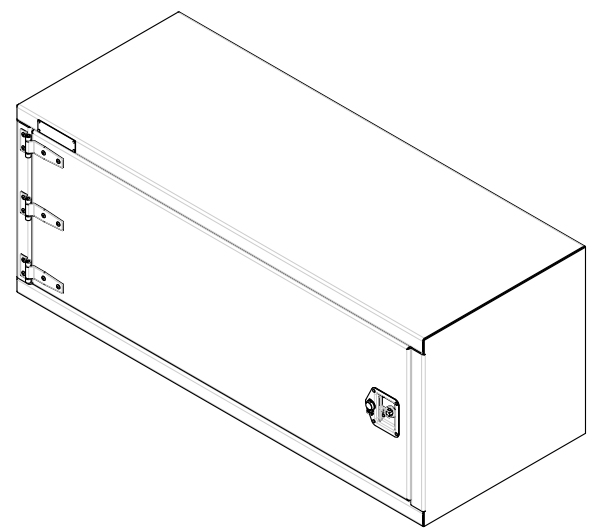
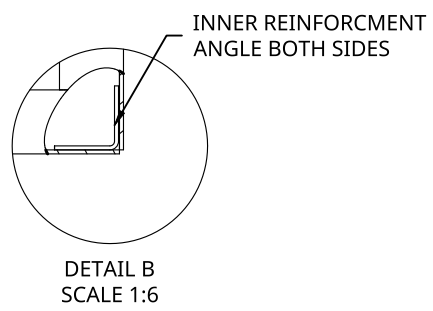
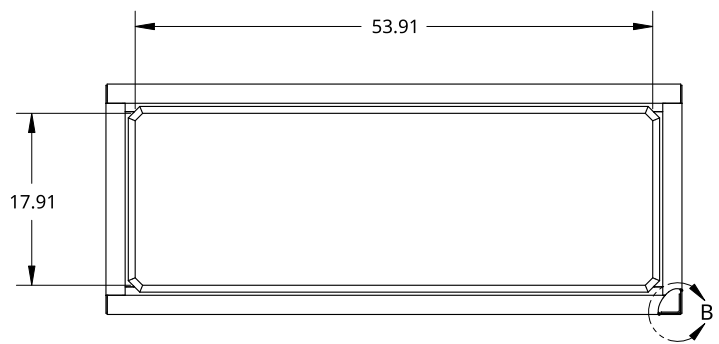


2

1

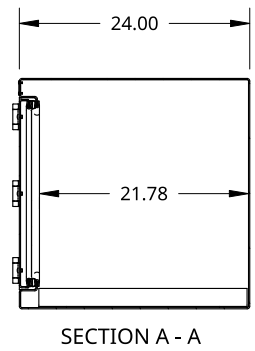
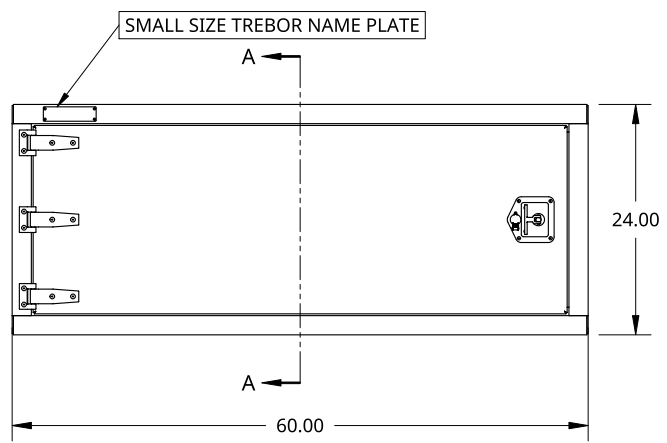
B

B



A

A



<small>THIS DOCUMENT IS THE PROPERTY OF TREBOR MANUFACTURING. ANY UNAUTHORIZED REPRODUCTION WILL BE PROSECUTED TO THE FULL EXTENT OF THE LAW</small>				PART NO. TRIDPL2460L		REV. A
<small>UNLESS OTHERWISE SPECIFIED, DIMENSIONS ARE IN INCHES .XX = ±.1- .XXX = ±.015- .XXXX = ±.005- ANGULAR = ±1° FRACTIONAL = ±1/8</small>		DRAWN SHAWN CROCKER 10/17/2021		ONE DOOR RECESSED DOOR TOOL BOX - 24 X 24 X 60 - X1 T-HANDLE - X3 HINGES - OPEN LEFT		
THIRD ANGLE PROJECTION 		MATERIAL 1/8 ALU MILL		SIZE A	DWG NO. D12449	REV. A
		SCALE 1:20	WEIGHT 100.02 LB	SHEET 1 of 1		

2

1