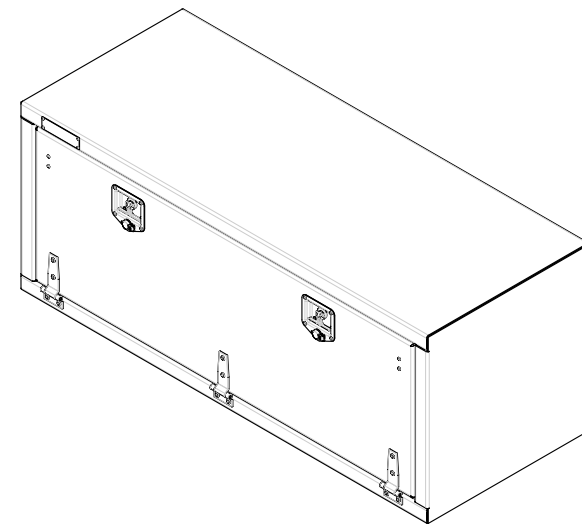
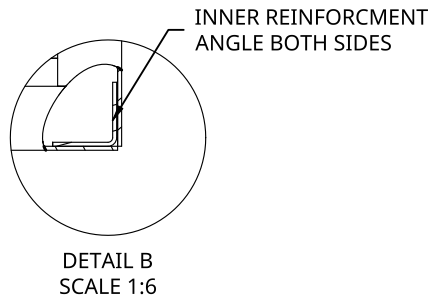
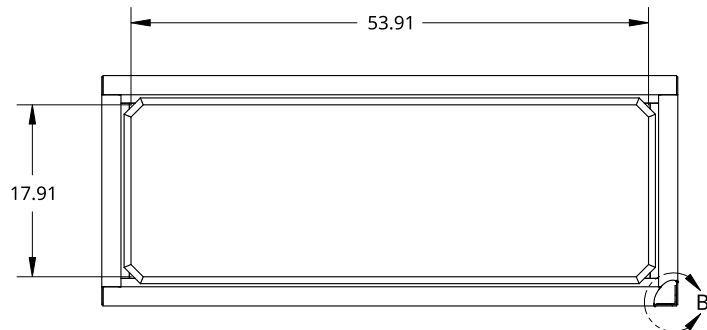
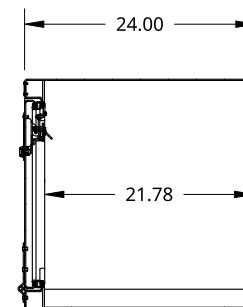
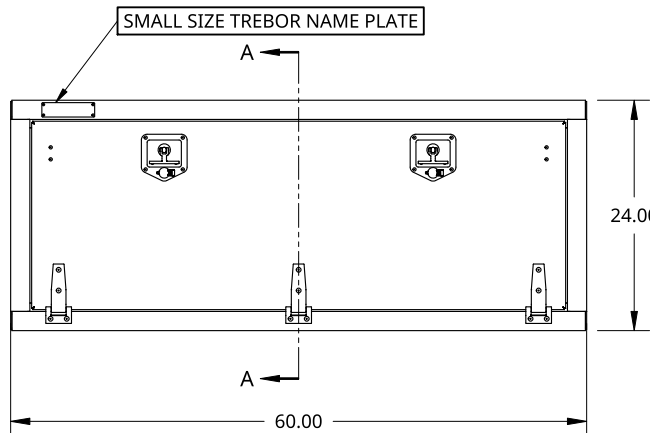
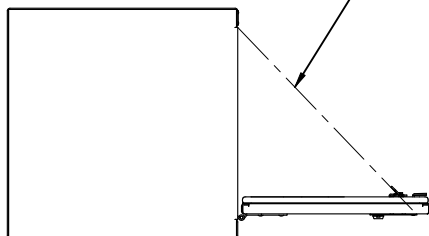


2

1



X2 DOOR CHAIN TO HOLD DOOR AT 90 DEG.



SECTION A - A

<small>THIS DOCUMENT IS THE PROPERTY OF TREBOR MANUFACTURING. ANY UNAUTHORIZED REPRODUCTION WILL BE PROSECUTED TO THE FULL EXTENT OF THE LAW</small>				PART NO. TRIDPL2460	REV. B
<small>UNLESS OTHERWISE SPECIFIED, DIMENSIONS ARE IN INCHES</small> <small>.XX = ±.1- ANGULAR = ±1°</small> <small>.XXX = ±.015- FRACTIONAL = ±1/8</small> <small>.XXXX = ±.005-</small>		<small>DRAWN BY</small> SHAWN CROCKER 08/03/2021 <small>CHANGED BY</small> SHAWN CROCKER 12/07/2022	<small>ONE DOOR RECESSED DOOR TOOL BOX - 24 X 24 X 60 - X2 T-HANDLES - X3 HINGES - OPEN DOWN</small>		
<small>THIRD ANGLE PROJECTION</small> 		<small>MATERIAL</small> 1/8 ALU MILL		<small>SIZE</small> A <small>DWG. NO.</small> D9598	<small>REV.</small> B
		<small>SCALE</small> 1:20	<small>WEIGHT</small> 100.02 LB	<small>SHEET</small> 1 of 1	

2

1

B

B

A

A