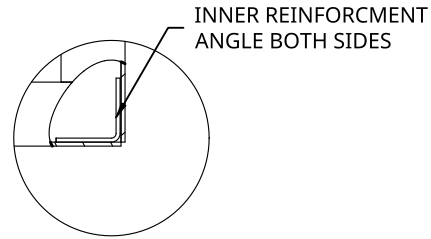
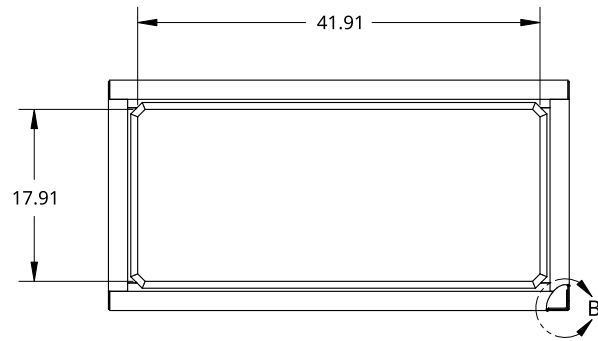
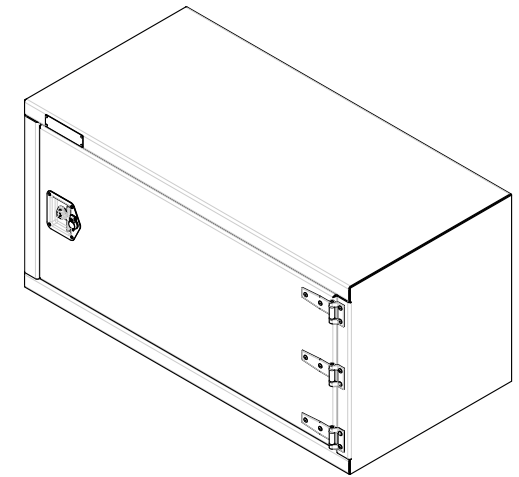


2

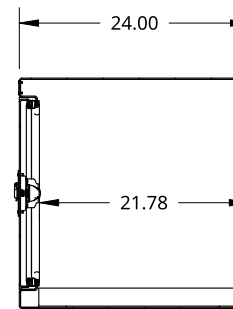
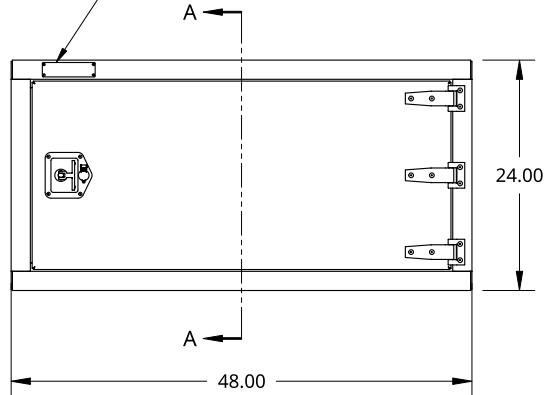
1





DETAIL B
SCALE 1:6



SMALL SIZE TREBOR NAME PLATE



SECTION A - A

<small>THIS DOCUMENT IS THE PROPERTY OF TREBOR MANUFACTURING. ANY UNAUTHORIZED REPRODUCTION WILL BE PROSECUTED TO THE FULL EXTENT OF THE LAW</small>				PART NO. TRIDPL2448R		REV. A
<small>UNLESS OTHERWISE SPECIFIED, DIMENSIONS ARE IN INCHES .XX = ±.1- .XXX = ±.015- .XXXX = ±.005-</small>		<small>ANGULAR = ±1° FRACTIONAL = ±1/8</small>		ONE DOOR RECESSED DOOR TOOL BOX - 24 X 24 X 48 - X1 T-HANDLE - X3 HINGES - OPEN RIGHT		
THIRD ANGLE PROJECTION 		MATERIAL 1/8 ALU MILL		SIZE A	DWG. NO. D12447	REV. A
		SCALE 1:20	WEIGHT 83.13 LB	SHEET 1 of 1		

2

1

B

B

A

A