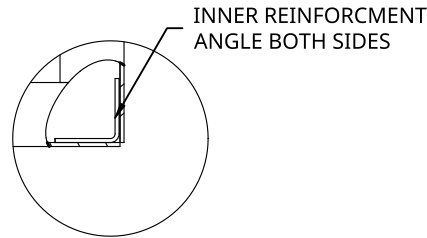
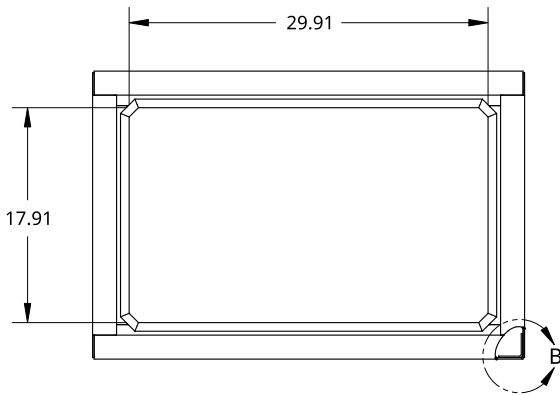
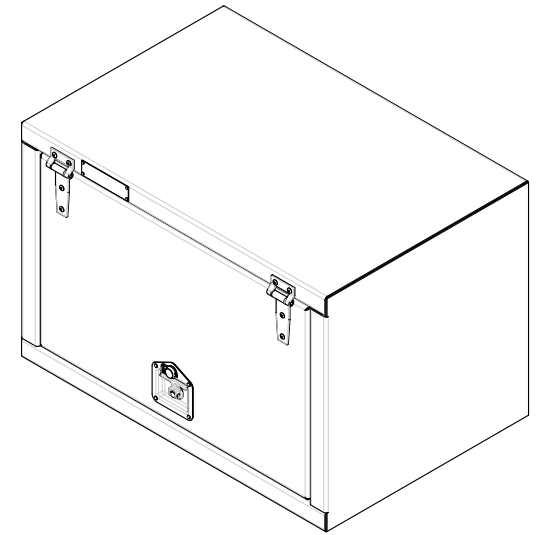


2

1

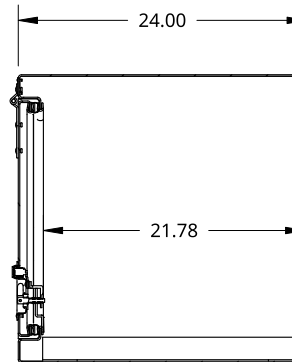
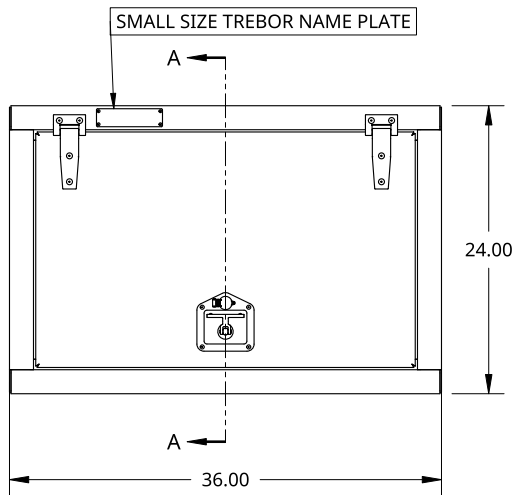


DETAIL B
SCALE 1:6



B



B



SECTION A - A

A

A

<small>THIS DOCUMENT IS THE PROPERTY OF TREBOR MANUFACTURING. ANY UNAUTHORIZED REPRODUCTION WILL BE PROSECUTED TO THE FULL EXTENT OF THE LAW</small>				PART NO. TRIDPL2436U		REV. A
<small>UNLESS OTHERWISE SPECIFIED, DIMENSIONS ARE IN INCHES .XX = ±.1- .XXX = ±.015- .XXXX = ±.005- ANGULAR = ±1° FRACTIONAL = ±1/8</small>		<small>DRAWN</small> SHAWN CROCKER		<small>10/17/2021</small>		ONE DOOR RECESSED DOOR TOOL BOX - 24 X 24 X 36 - X1 T-HANDLE - OPEN UP
<small>THIRD ANGLE PROJECTION</small>		<small>MATERIAL</small>		SIZE A		DWG NO. D12445
		1/8 ALU MILL		SCALE 1:16		WEIGHT 66.89 LB
				SHEET 1 of 1		REV. A

2

1