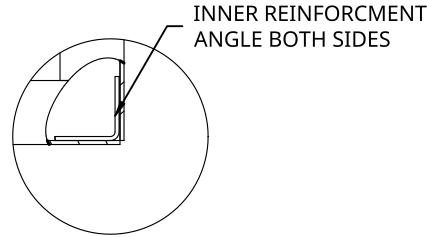
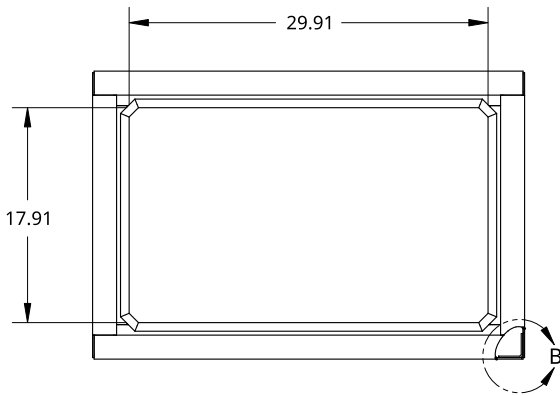
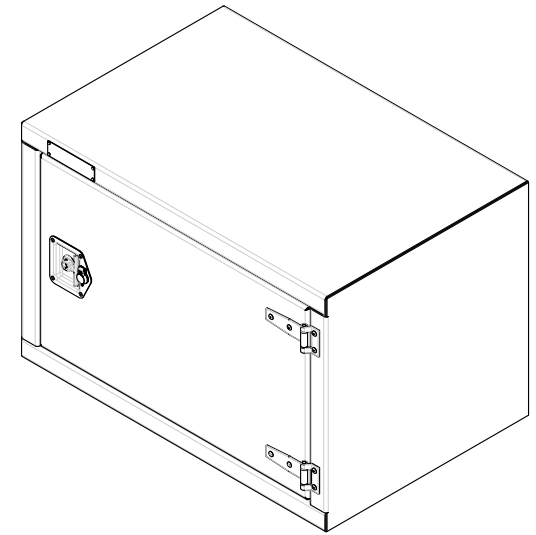


2

1

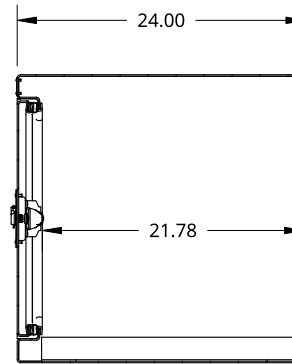
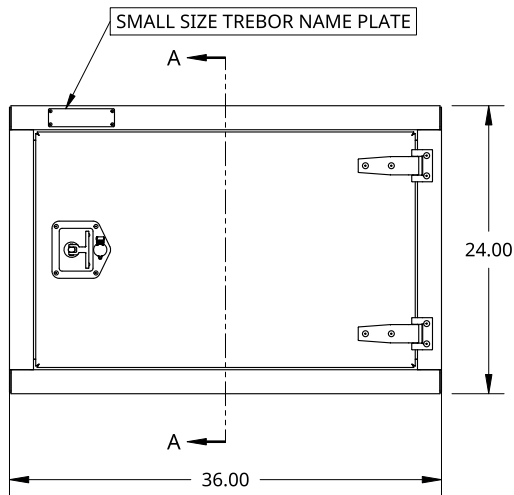


DETAIL B
SCALE 1:6



B

B



SECTION A - A

A

A

<small>THIS DOCUMENT IS THE PROPERTY OF TREBOR MANUFACTURING. ANY UNAUTHORIZED REPRODUCTION WILL BE PROSECUTED TO THE FULL EXTENT OF THE LAW</small>				PART NO. TRIDPL2436R		REV. A
<small>UNLESS OTHERWISE SPECIFIED, DIMENSIONS ARE IN INCHES .XX = ±.1- .XXX = ±.015- .XXXX = ±.005- ANGULAR = ±1° FRACTIONAL = ±1/8</small>		<small>DRAWN SHAWN CROCKER 10/17/2021</small>		ONE DOOR RECESSED DOOR TOOL BOX - 24 X 24 X 36 - X1 T-HANDLE - OPEN RIGHT		
<small>THIRD ANGLE PROJECTION</small>		<small>MATERIAL</small>		SIZE A	DWG NO. D12444	REV. A
		1/8 ALU MILL		SCALE 1:16	WEIGHT 66.89 LB	SHEET 1 of 1

2

1