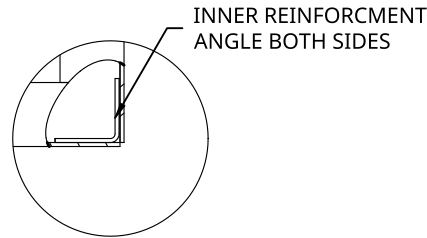
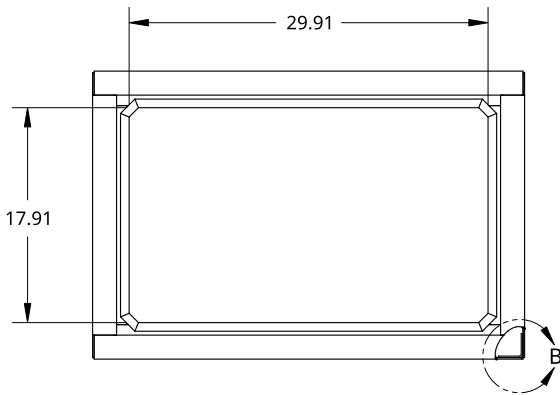
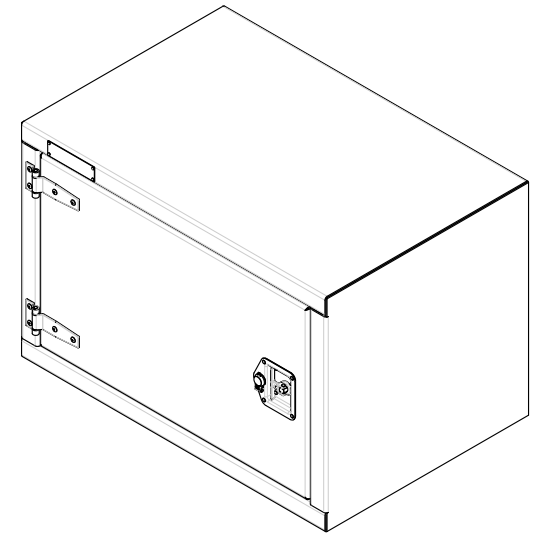


2

1

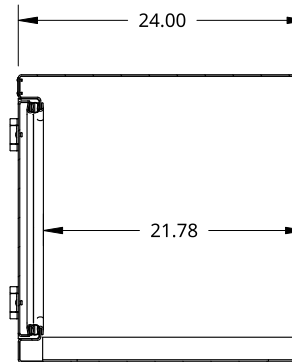
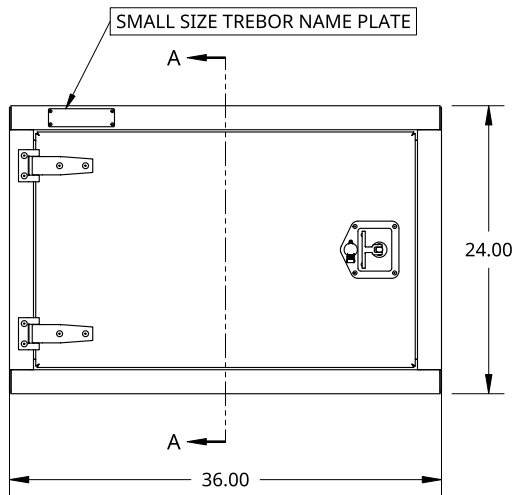


DETAIL B  
SCALE 1:6



B

B



SECTION A - A

A

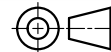
A

THIS DOCUMENT IS THE PROPERTY OF TREBOR MANUFACTURING. ANY UNAUTHORIZED REPRODUCTION WILL BE PROSECUTED TO THE FULL EXTENT OF THE LAW

UNLESS OTHERWISE SPECIFIED, DIMENSIONS ARE IN INCHES

.XX = ±.1-  
.XXX = ±.015-  
.XXXX = ±.005-  
ANGULAR = ±1°  
FRACTIONAL = ±1/8

THIRD ANGLE PROJECTION



DRAWN SHAWN CROCKER 10/17/2021

MATERIAL  
1/8 ALU MILL

PART NO. TRIDPL2436L REV. A

ONE DOOR RECESSED DOOR TOOL BOX - 24 X 24 X 36 - X1 T-HANDLE - OPEN LEFT

SIZE A DWG NO. D12443 REV. A

SCALE 1:16 WEIGHT 66.89 LB SHEET 1 of 1

2

1