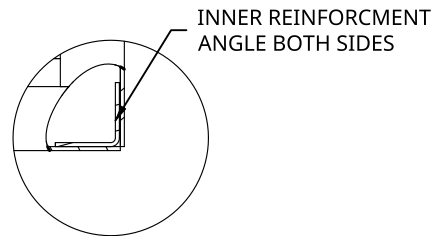
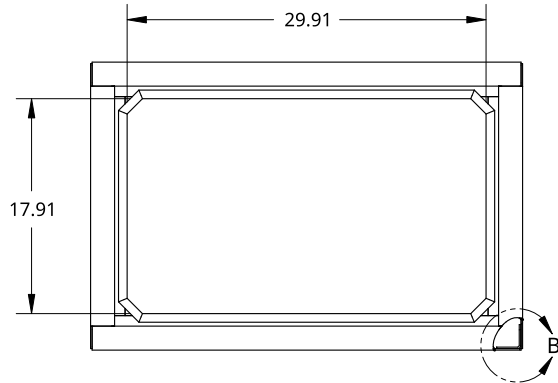
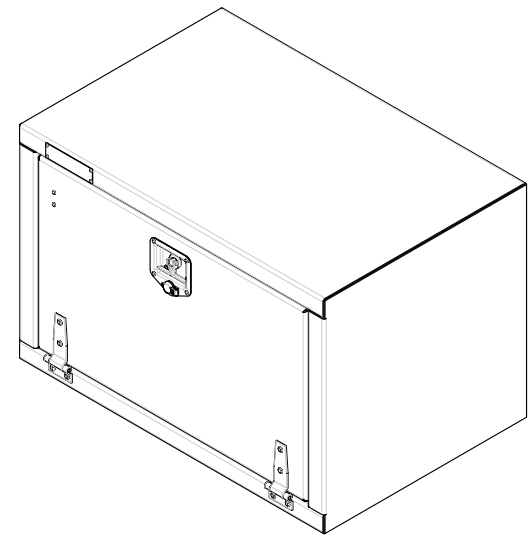


2

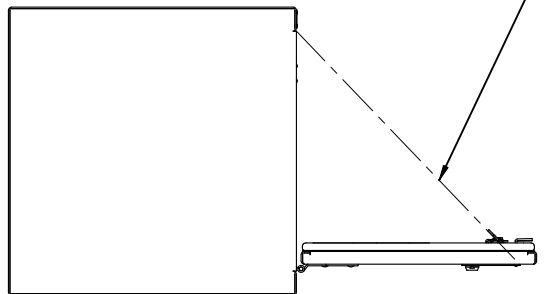
1



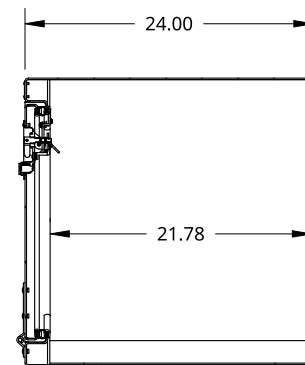
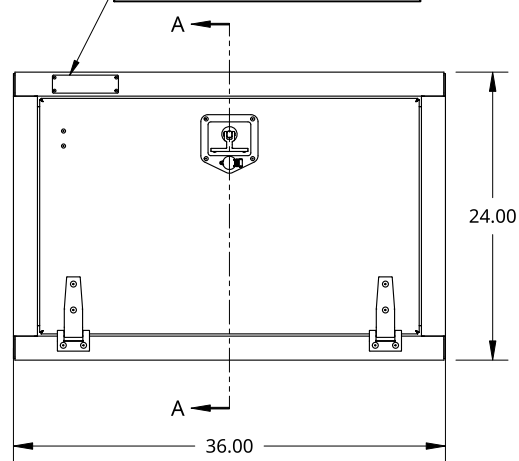
DETAIL B
SCALE 1:6





X1 DOOR CHAIN TO HOLD
DOOR AT 90 DEG.



SMALL SIZE TREBOR NAME PLATE



SECTION A - A

<small>THIS DOCUMENT IS THE PROPERTY OF TREBOR MANUFACTURING. ANY UNAUTHORIZED REPRODUCTION WILL BE PROSECUTED TO THE FULL EXTENT OF THE LAW</small>				PART NO. TRIDPL2436	REV. B
<small>UNLESS OTHERWISE SPECIFIED, DIMENSIONS ARE IN INCHES</small>		<small>.XX = ±.1-</small>	<small>ANGULAR = ±1°</small>	ONE DOOR RECESSED DOOR TOOL BOX - 24 X 24 X 36 - X1 T-HANDLE - OPEN DOWN	
<small>.XXX = ±.015-</small>	<small>FRACTIONAL = ±1/8</small>	<small>CHANGED BY</small> SHAWN CROCKER	<small>12/07/2022</small>	SIZE A	DWG NO. D9596
<small>THIRD ANGLE PROJECTION</small>		<small>MATERIAL</small>		SCALE 1:16	WEIGHT 66.89 LB
		1/8 ALU MILL		SHEET 1 of 1	REV. B

2

1

B

A

B

A