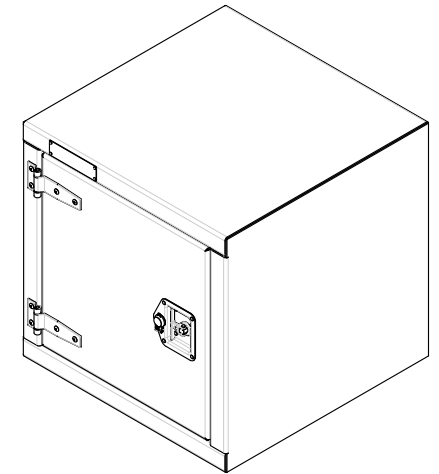
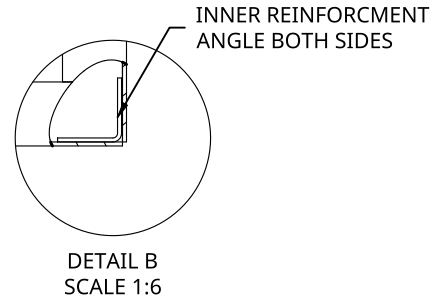
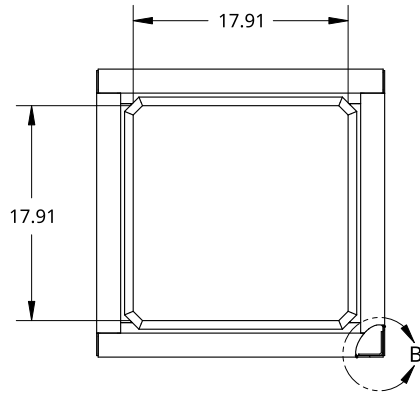


2

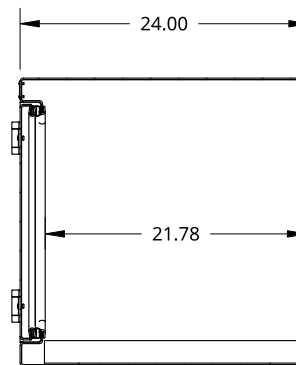
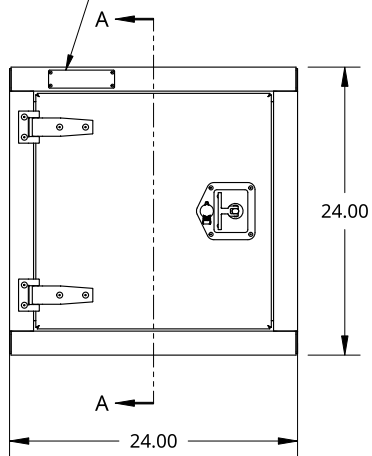
1



B

A

SMALL SIZE TREBOR NAME PLATE



SECTION A - A

B

A

2

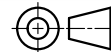
1

THIS DOCUMENT IS THE PROPERTY OF TREBOR MANUFACTURING. ANY UNAUTHORIZED REPRODUCTION WILL BE PROSECUTED TO THE FULL EXTENT OF THE LAW

UNLESS OTHERWISE SPECIFIED, DIMENSIONS ARE IN INCHES

.XX = ±.1- ANGULAR = ±1°
.XXX = ±.015- FRACTIONAL = ±1/8
.XXXX = ±.005-

THIRD ANGLE PROJECTION



DRAWN SHAWN CROCKER 10/17/2021

MATERIAL

1/8 ALU MILL

PART NO. TRIDPL2424L REV. A

ONE DOOR RECESSED DOOR TOOL BOX - 24 X 24 X 24 - X1 T-HANDLE - OPEN LEFT

SIZE A DWG NO. D12440 REV. A

SCALE 1:16 WEIGHT 51.25 LB SHEET 1 of 1