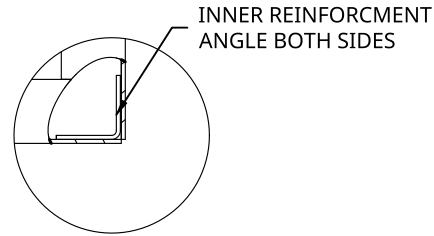
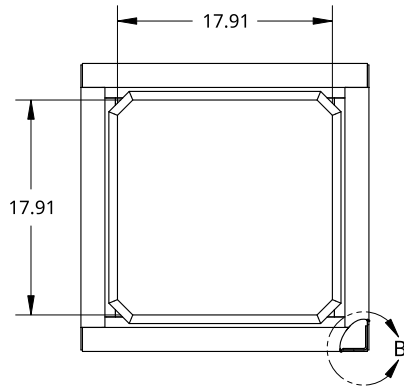
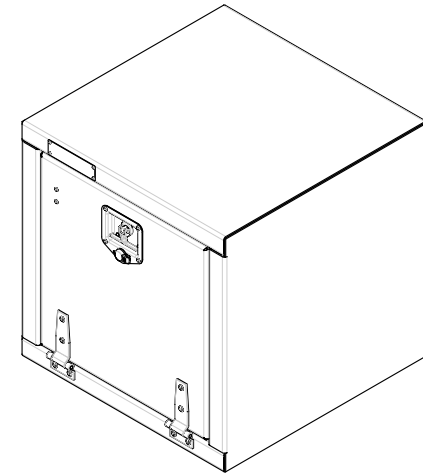


2

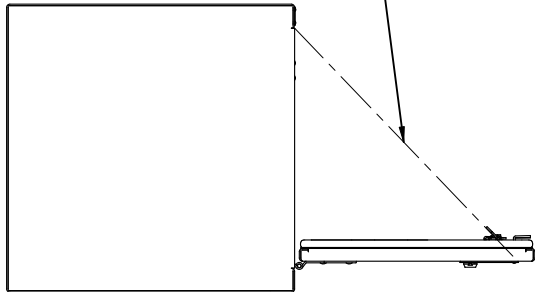
1



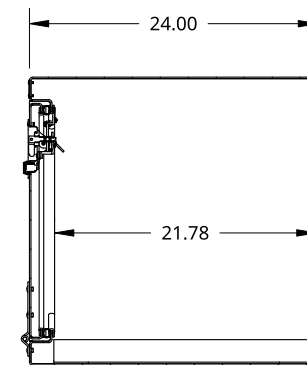
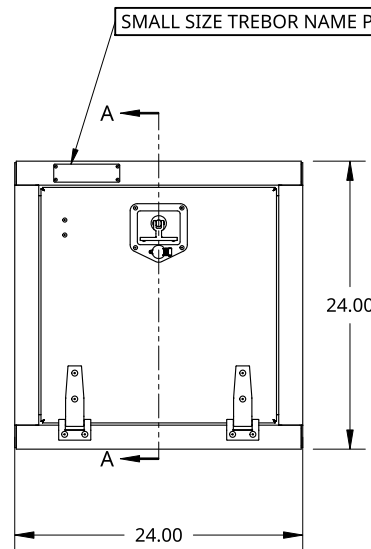
DETAIL B  
SCALE 1:6



X1 DOOR CHAIN TO HOLD  
DOOR AT 90 DEG.



SMALL SIZE TREBOR NAME PLATE



SECTION A - A

B

B

A

A

2

1

THIS DOCUMENT IS THE PROPERTY OF TREBOR  
MANUFACTURING. ANY UNAUTHORIZED REPRODUCTION  
WILL BE PROSECUTED TO THE FULL EXTENT OF THE LAW



PART NO. TRIDPL2424 REV. B

UNLESS OTHERWISE SPECIFIED,  
DIMENSIONS ARE IN INCHES

.XX = ±.1-  
.XXX = ±.015-  
.XXXX = ±.005-  
ANGULAR = ±1°  
FRACTIONAL = ±1/8

DRAWN BY	SHAWN CROCKER	08/02/2021
CHANGED BY	SHAWN CROCKER	12/07/2022

ONE DOOR RECESSED DOOR TOOL BOX - 24 X 24 X 24 - X1 T-HANDLE -  
OPEN DOWN

THIRD ANGLE PROJECTION

MATERIAL

SIZE A DWG NO. D9595 REV. B



1/8 ALU MILL

SCALE	1:16	WEIGHT	51.25 LB	SHEET	1 of 1
-------	------	--------	----------	-------	--------