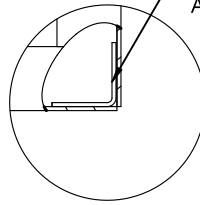


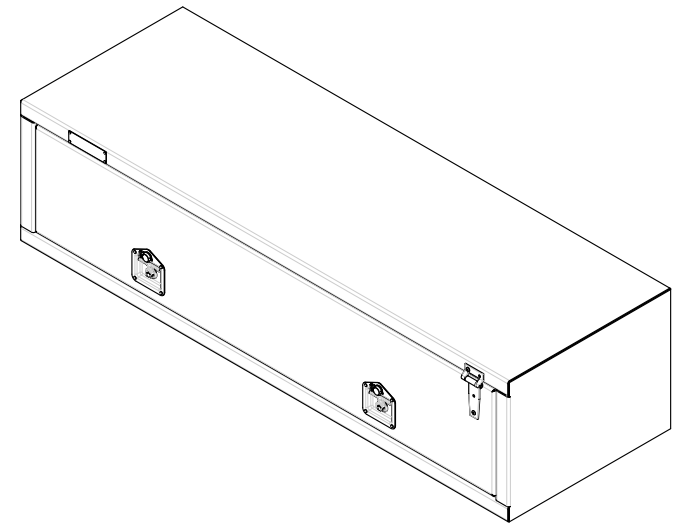
2

1

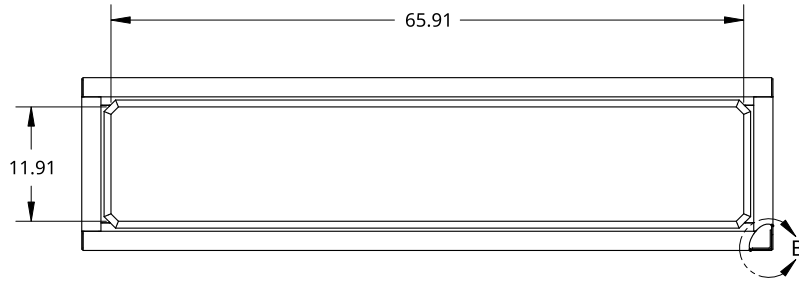
INNER REINFORCEMENT
ANGLE BOTH SIDES



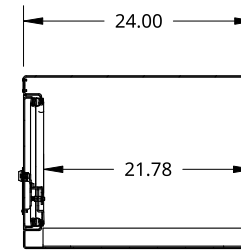
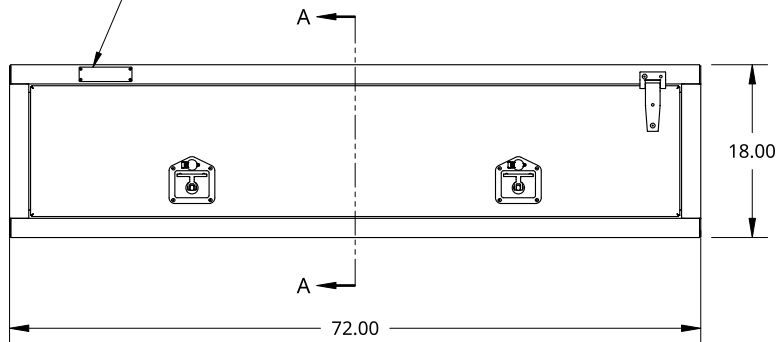
DETAIL B
SCALE 1:6



B



SMALL SIZE TREBOR NAME PLATE



SECTION A - A

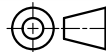
A

THIS DOCUMENT IS THE PROPERTY OF TREBOR
MANUFACTURING. ANY UNAUTHORIZED REPRODUCTION
WILL BE PROSECUTED TO THE FULL EXTENT OF THE LAW

UNLESS OTHERWISE SPECIFIED,
DIMENSIONS ARE IN INCHES

.XX = ±.1-
.XXX = ±.015- ANGULAR = ±1°
.XXXX = ±.005- FRACTIONAL = ±1/8

THIRD ANGLE PROJECTION



DRAWN SHAWN CROCKER 10/17/2021

MATERIAL

1/8 ALU MILL

PART NO. TRIDPL1872U REV. A

ONE DOOR RECESSED DOOR TOOL BOX - 24 X 18 X 72 - X2 T-HANDLES -
X3 HINGES - OPEN UP

SIZE A DWG NO. D12439 REV. A

SCALE 1:20 WEIGHT 100.71 LB SHEET 1 of 1

2

1

B

A