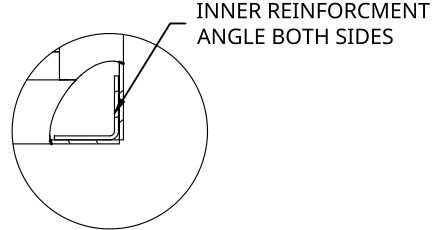
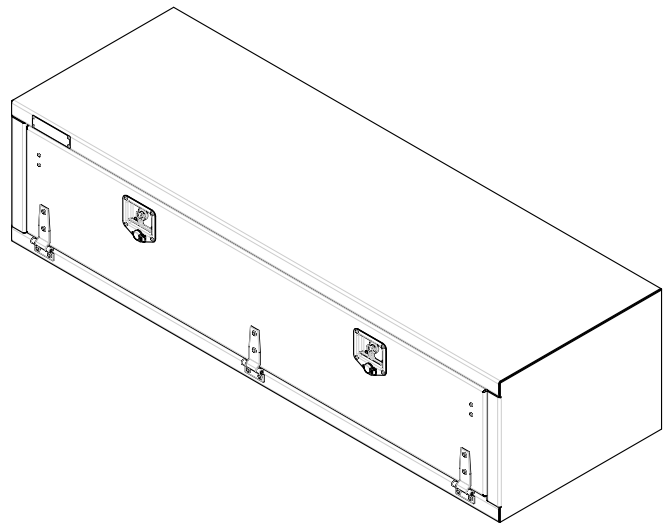
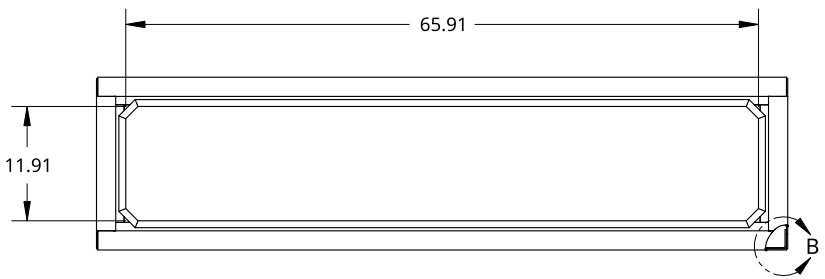


2

1

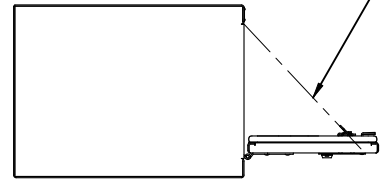


DETAIL B
SCALE 1:6

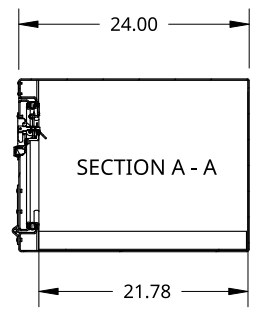
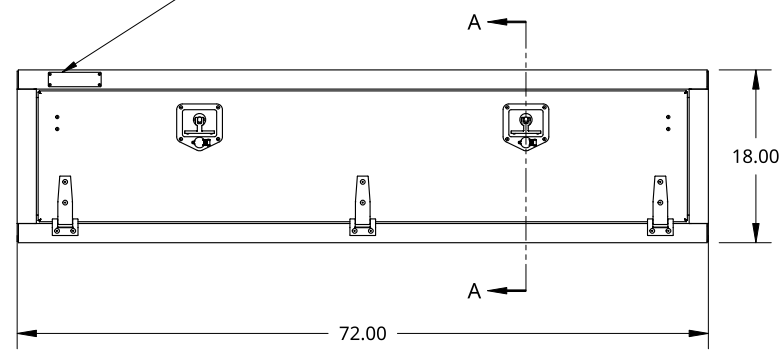


B

X2 DOOR CHAIN TO HOLD
DOOR AT 90 DEG.



SMALL SIZE TREBOR NAME PLATE



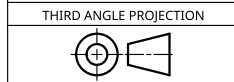
A

B

A

THIS DOCUMENT IS THE PROPERTY OF TREBOR
MANUFACTURING. ANY UNAUTHORIZED REPRODUCTION
WILL BE PROSECUTED TO THE FULL EXTENT OF THE LAW

UNLESS OTHERWISE SPECIFIED,
DIMENSIONS ARE IN INCHES
.XX = ±.1-
.XXX = ±.015- ANGULAR = ±1°
.XXXX = ±.005- FRACTIONAL = ±1/8



DRAWN BY	RAUL MANRIQUE	10/31/2022
CHANGED BY	SHAWN CROCKER	12/07/2022

MATERIAL
1/8 ALU MILL

PART NO. TRIDPL1872

REV. B

ONE DOOR RECESSED DOOR TOOL BOX - 24 X 18 X 72 - X2 T-HANDLES - X3 HINGES - OPEN DOWN

SIZE A	DWG NO. D9594	REV. B
--------	---------------	--------

SCALE 1:20	WEIGHT 100.71 LB	SHEET 1 of 1
------------	------------------	--------------

2

1