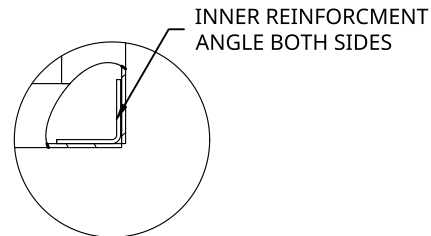
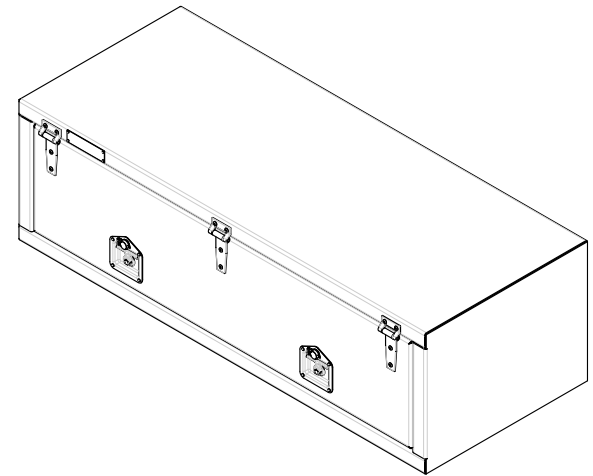


2

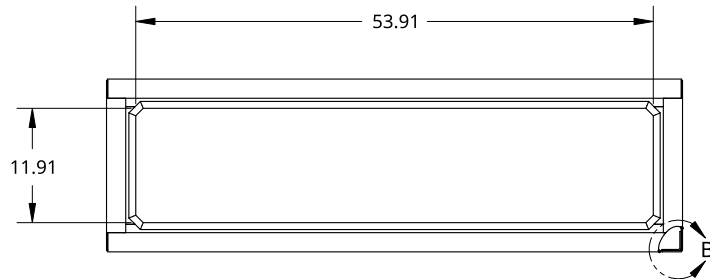
1



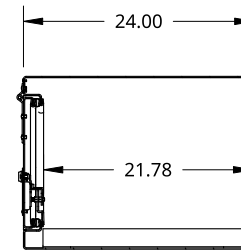
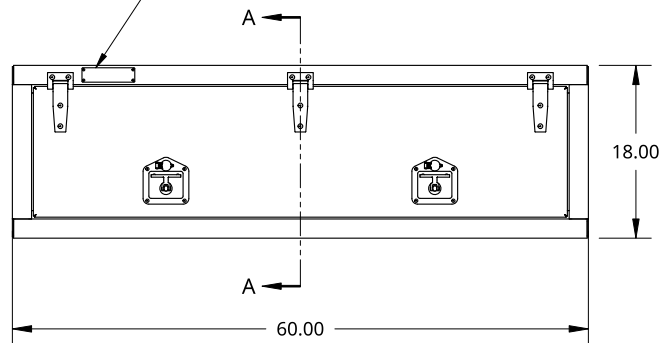
DETAIL B
SCALE 1:6



B



SMALL SIZE TREBOR NAME PLATE



SECTION A - A

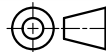
A

THIS DOCUMENT IS THE PROPERTY OF TREBOR MANUFACTURING. ANY UNAUTHORIZED REPRODUCTION WILL BE PROSECUTED TO THE FULL EXTENT OF THE LAW

UNLESS OTHERWISE SPECIFIED, DIMENSIONS ARE IN INCHES

.XX = ±.1-
.XXX = ±.015- ANGULAR = ±1°
.XXXX = ±.005- FRACTIONAL = ±1/8

THIRD ANGLE PROJECTION



DRAWN SHAWN CROCKER 10/17/2021

MATERIAL
1/8 ALU MILL

PART NO. TRIDPL1860U REV. A

ONE DOOR RECESSED DOOR TOOL BOX - 24 X 18 X 60 - X2 T-HANDLES - X3 HINGES - OPEN UP

SIZE A DWG. NO. D12436 REV. A

SCALE 1:20 WEIGHT 86.89 LB SHEET 1 of 1

2

1

B

A