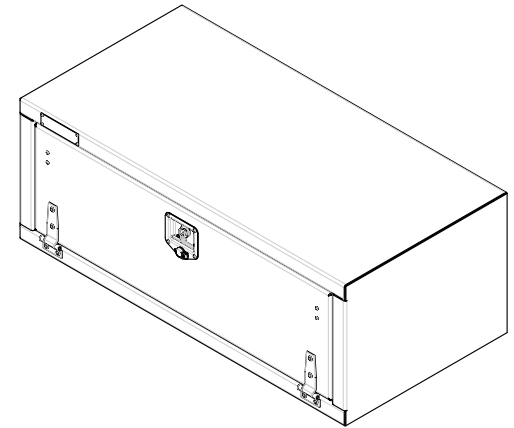
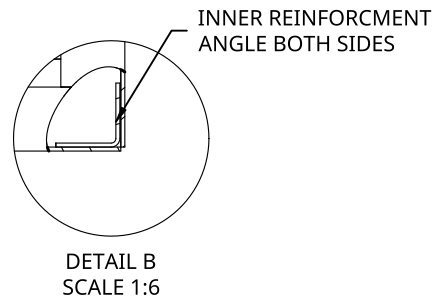
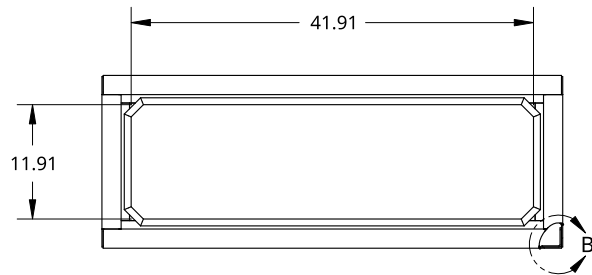


2

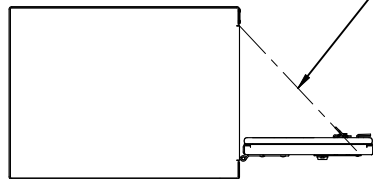
1

B

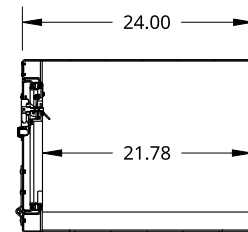
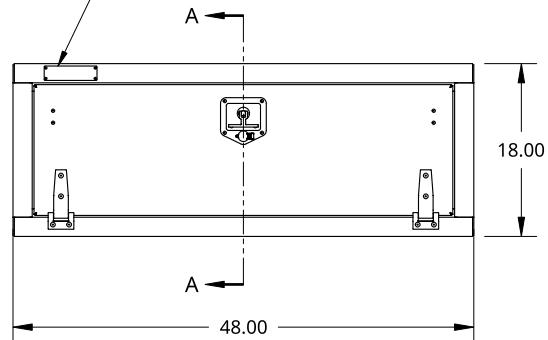


B

X2 DOOR CHAIN TO HOLD DOOR AT 90 DEG.



SMALL SIZE TREBOR NAME PLATE



SECTION A - A

A

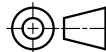
A

THIS DOCUMENT IS THE PROPERTY OF TREBOR MANUFACTURING. ANY UNAUTHORIZED REPRODUCTION WILL BE PROSECUTED TO THE FULL EXTENT OF THE LAW

UNLESS OTHERWISE SPECIFIED, DIMENSIONS ARE IN INCHES

.XX = ±.1-  
.XXX = ±.015- ANGULAR = ±1°  
.XXXX = ±.005- FRACTIONAL = ±1/8

THIRD ANGLE PROJECTION



DRAWN BY	SHAWN CROCKER	08/02/2021
CHANGED BY	SHAWN CROCKER	12/07/2022

MATERIAL  
1/8 ALU MILL

PART NO. TRIDPL1848 REV. B

ONE DOOR RECESSED DOOR TOOL BOX - 24 X 18 X 48 - X1 T-HANDLE - OPEN DOWN

SIZE A DWG NO. D9592 REV. B

SCALE 1:20	WEIGHT 71.18 LB	SHEET 1 of 1
------------	-----------------	--------------

2

1