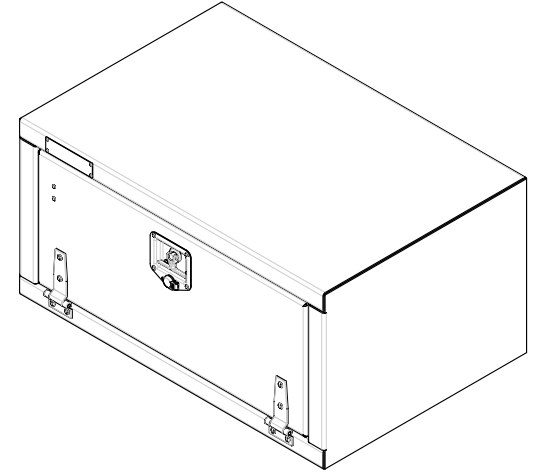
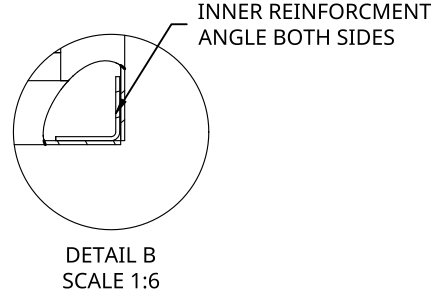
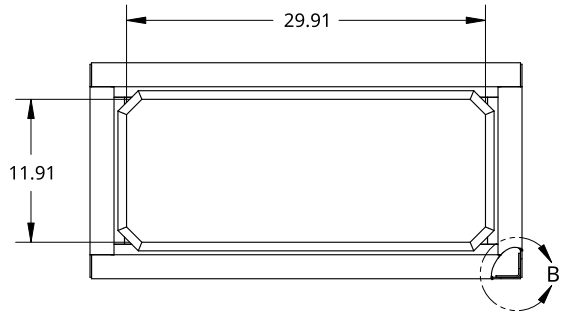


2

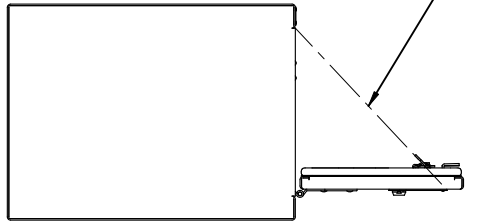
1

B

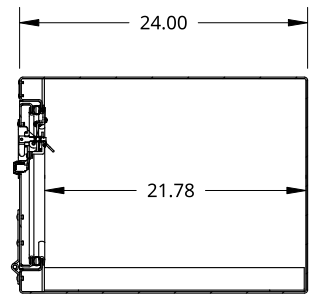
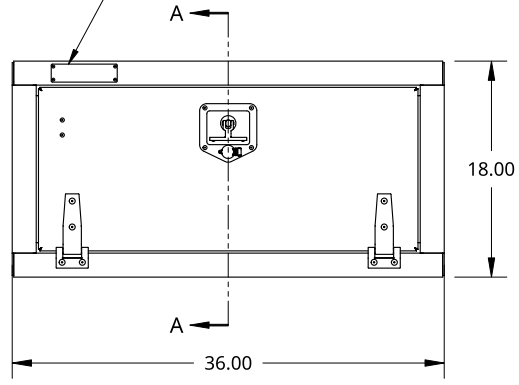
B



X1 DOOR CHAIN TO HOLD DOOR AT 90 DEG.



SMALL SIZE TREBOR NAME PLATE



A

A

THIS DOCUMENT IS THE PROPERTY OF TREBOR MANUFACTURING. ANY UNAUTHORIZED REPRODUCTION WILL BE PROSECUTED TO THE FULL EXTENT OF THE LAW

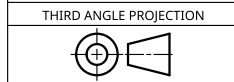


PART NO. TRIDPL1836 REV. B

UNLESS OTHERWISE SPECIFIED, DIMENSIONS ARE IN INCHES  
 .XX = ±.1-  
 .XXX = ±.015- ANGULAR = ±1°  
 .XXXX = ±.005- FRACTIONAL = ±1/8

DRAWN BY SHAWN CROCKER 08/02/2021  
 CHANGED BY SHAWN CROCKER 12/07/2022

ONE DOOR RECESSED DOOR TOOL BOX - 24 X 18 X 36 - X1 T-HANDLE - OPEN DOWN



MATERIAL 1/8 ALU MILL

SIZE A DWG NO. D9591 REV. B  
 SCALE 1:16 WEIGHT 57.3 LB SHEET 1 of 1

2

1