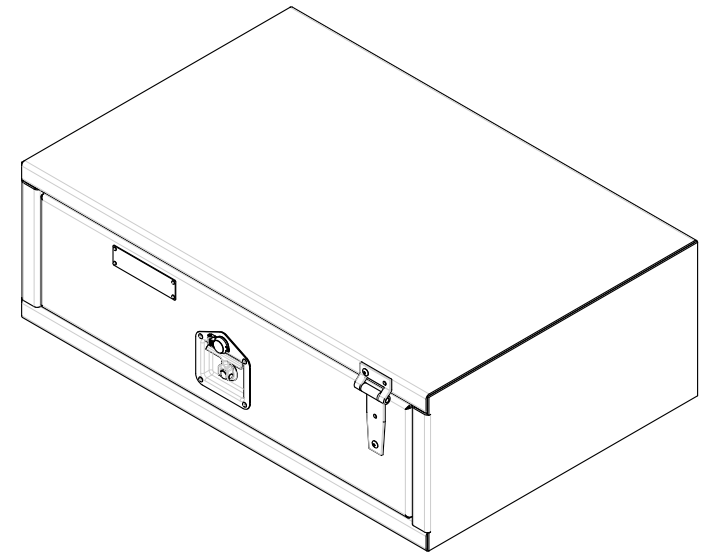
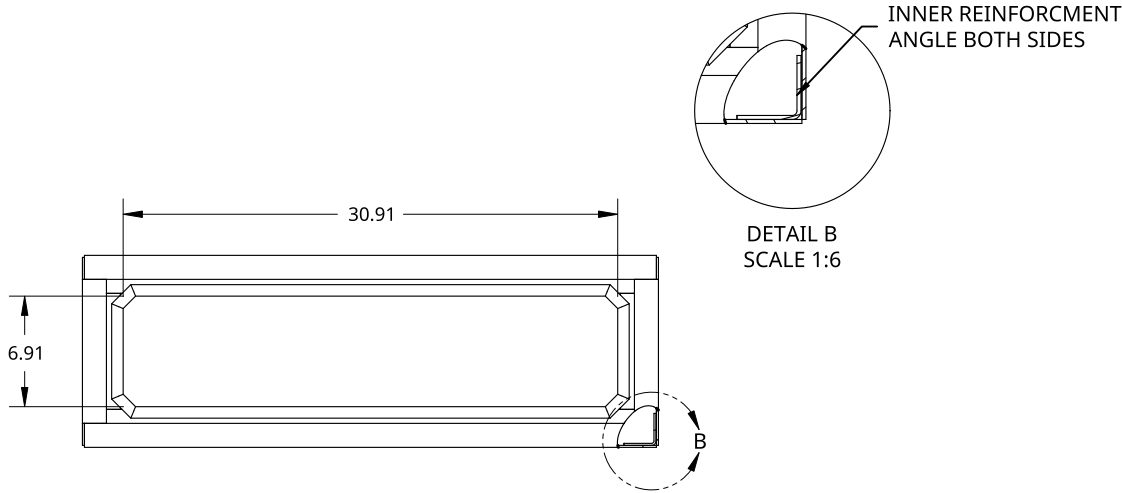


2

1

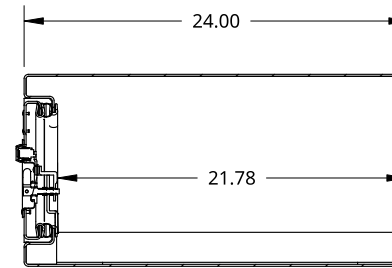
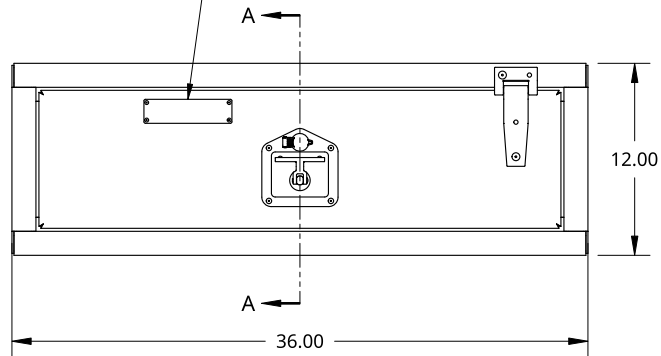
B

B



A

SMALL SIZE TREBOR NAME PLATE



SECTION A - A

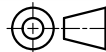
A

THIS DOCUMENT IS THE PROPERTY OF TREBOR MANUFACTURING. ANY UNAUTHORIZED REPRODUCTION WILL BE PROSECUTED TO THE FULL EXTENT OF THE LAW

UNLESS OTHERWISE SPECIFIED, DIMENSIONS ARE IN INCHES

.XX = ±.1- ANGULAR = ±1°
.XXX = ±.015- FRACTIONAL = ±1/8
.XXXX = ±.005-

THIRD ANGLE PROJECTION



DRAWN SHAWN CROCKER 10/17/2021

MATERIAL
1/8 ALU MILL

PART NO. TRIDPL1236U REV. A

ONE DOOR RECESSED DOOR TOOL BOX - 24 X 12 X 36 - X1 T-HANDLE - OPEN UP - WITH 1.5IN FRAME

SIZE A DWG NO. D12428 REV. A

SCALE 1:12 WEIGHT 47.93 LB SHEET 1 of 1

2

1