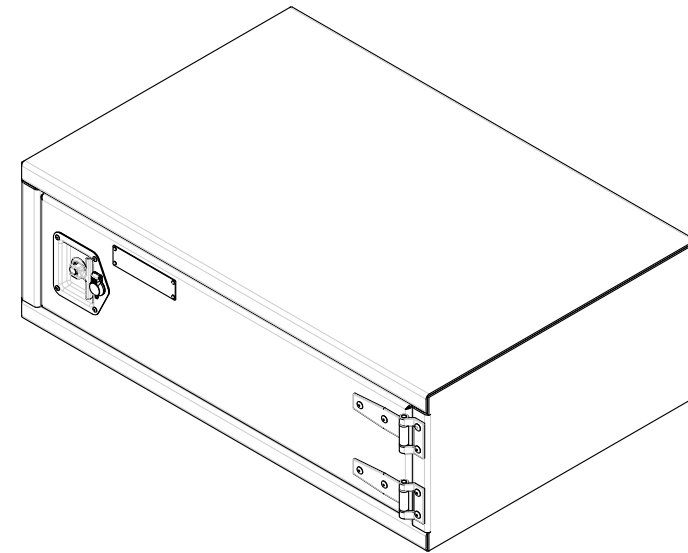
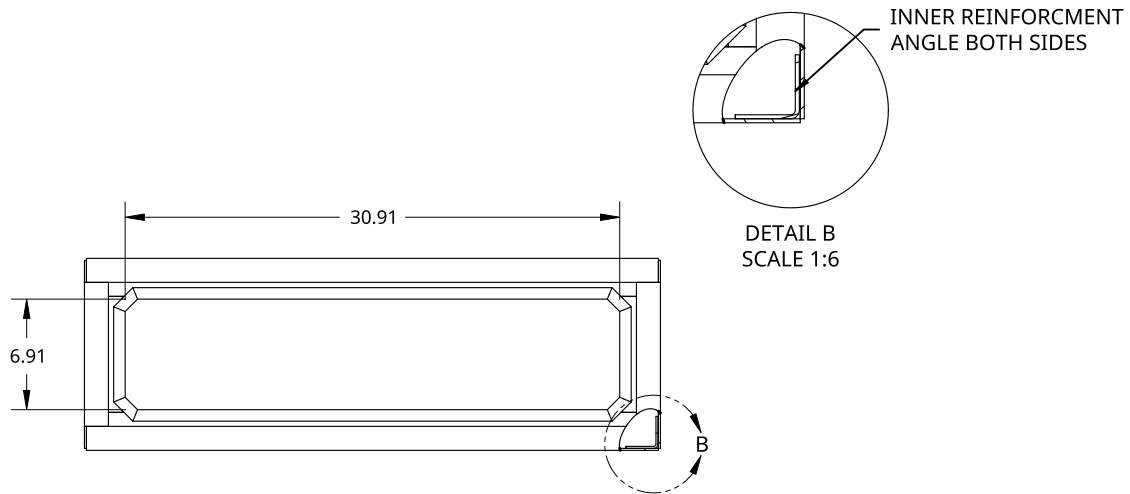


2

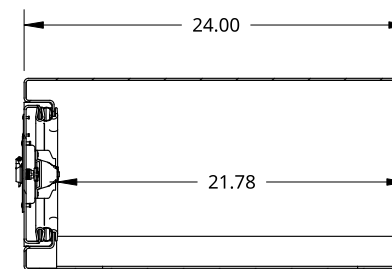
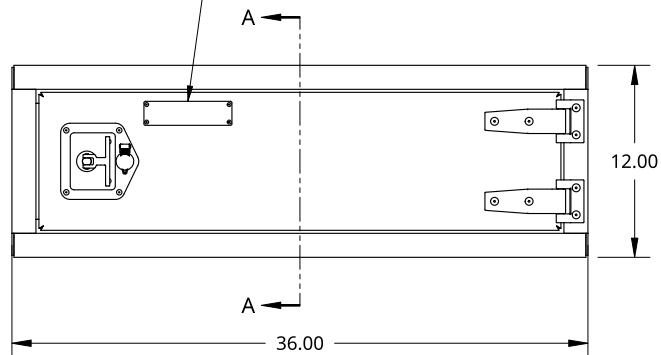
1

B

A



SMALL SIZE TREBOR NAME PLATE



THIS DOCUMENT IS THE PROPERTY OF TREBOR MANUFACTURING. ANY UNAUTHORIZED REPRODUCTION WILL BE PROSECUTED TO THE FULL EXTENT OF THE LAW

UNLESS OTHERWISE SPECIFIED, DIMENSIONS ARE IN INCHES

.XX = ±.1-  
.XXX = ±.015-  
.XXXX = ±.005-  
ANGULAR = ±1°  
FRACTIONAL = ±1/8

THIRD ANGLE PROJECTION



DRAWN SHAWN CROCKER 10/17/2021

MATERIAL 1/8 ALU MILL

PART NO. TRIDPL1236R REV. A

ONE DOOR RECESSED DOOR TOOL BOX - 24 X 12 X 36 - X1 T-HANDLE - OPEN RIGHT - WITH 1.5IN FRAME

SIZE A DWG NO. D12427 REV. A

SCALE 1:12 WEIGHT 47.93 LB SHEET 1 of 1

2

1