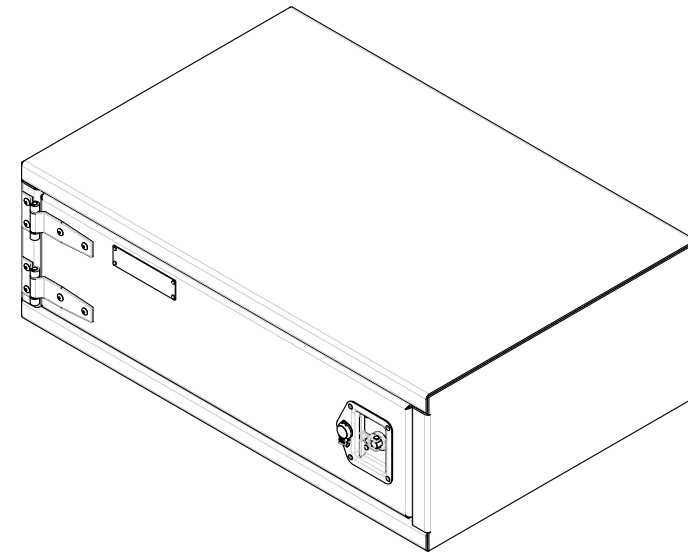
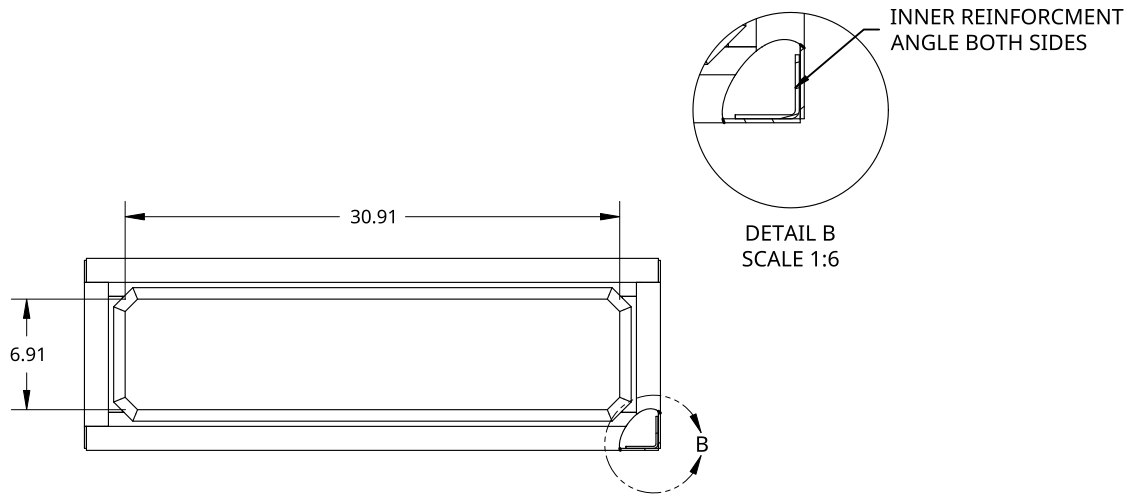


2

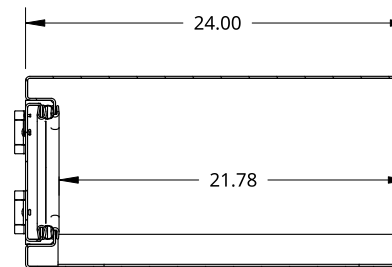
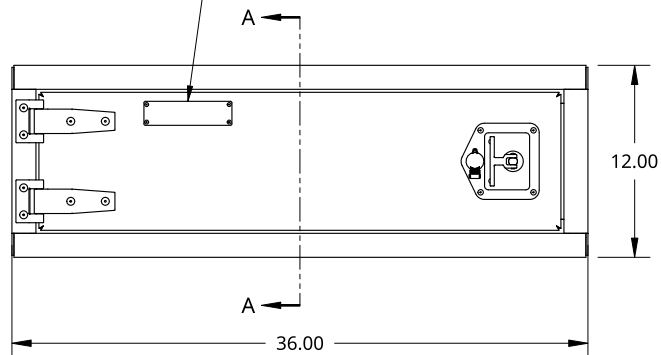
1

B

A



SMALL SIZE TREBOR NAME PLATE



THIS DOCUMENT IS THE PROPERTY OF TREBOR MANUFACTURING. ANY UNAUTHORIZED REPRODUCTION WILL BE PROSECUTED TO THE FULL EXTENT OF THE LAW

UNLESS OTHERWISE SPECIFIED, DIMENSIONS ARE IN INCHES

.XX = ±.1-
.XXX = ±.015- ANGULAR = ±1°
.XXXX = ±.005- FRACTIONAL = ±1/8

THIRD ANGLE PROJECTION



DRAWN SHAWN CROCKER 10/17/2021

MATERIAL 1/8 ALU MILL

PART NO. TRIDPL1236L REV. A

ONE DOOR RECESSED DOOR TOOL BOX - 24 X 12 X 36 - X1 T-HANDLE - OPEN LEFT - WITH 1.5IN FRAME

SIZE A DWG. NO. D12426 REV. A

SCALE 1:12 WEIGHT 47.93 LB SHEET 1 of 1

2

1