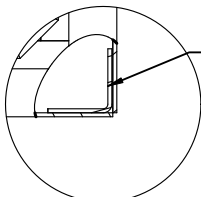
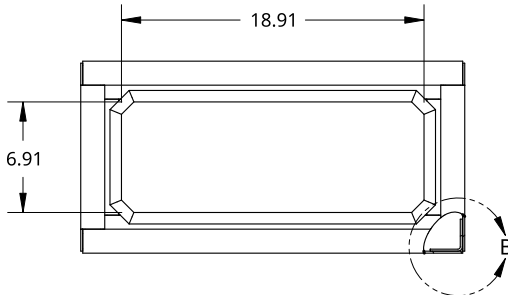


2

1

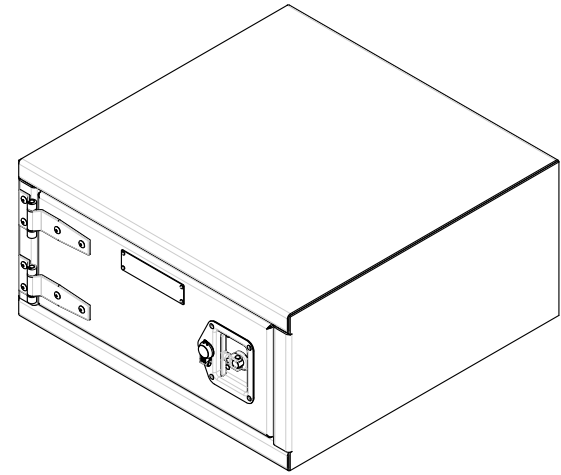
B

A

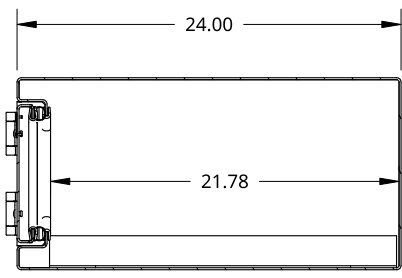
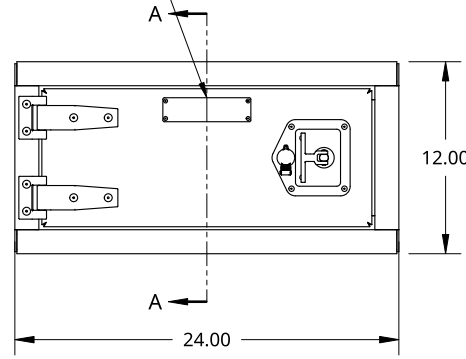


INNER REINFORCEMENT
ANGLE BOTH SIDES

DETAIL B
SCALE 1:6



SMALL SIZE TREBOR NAME PLATE



SECTION A - A

B

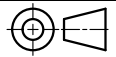
A

THIS DOCUMENT IS THE PROPERTY OF TREBOR
MANUFACTURING. ANY UNAUTHORIZED REPRODUCTION
WILL BE PROSECUTED TO THE FULL EXTENT OF THE LAW

UNLESS OTHERWISE SPECIFIED,
DIMENSIONS ARE IN INCHES

.XX = ±.1- ANGULAR = ±1°
.XXX = ±.015- FRACTIONAL = ±1/8
.XXXX = ±.005-

THIRD ANGLE PROJECTION



DRAWN SHAWN CROCKER 10/17/2021

MATERIAL

1/8 ALU MILL

PART NO. **TRIDPL1224L** REV. **A**

ONE DOOR RECESSED DOOR TOOL BOX - 24 X 12 X 24 - X1 T-HANDLE -
OPEN LEFT - WITH 1.5IN FRAME

SIZE **A** DWG NO. **D12423** REV. **A**

SCALE **1:12** WEIGHT **35.92 LB** SHEET **1 of 1**

2

1