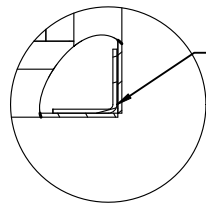
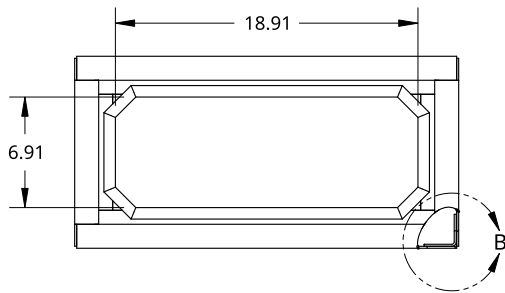


2

1

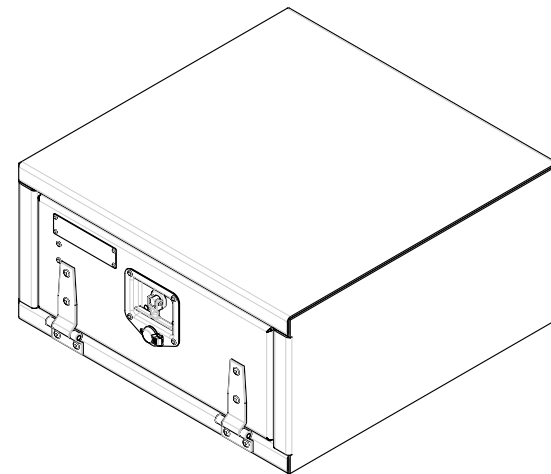
B

A



INNER REINFORCEMENT
ANGLE BOTH SIDES

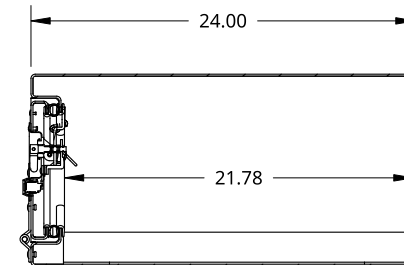
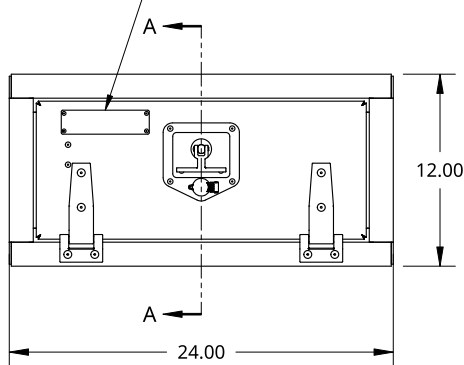
DETAIL B
SCALE 1:6



X1 DOOR CHAIN TO HOLD
DOOR AT 90 DEG.



SMALL SIZE TREBOR NAME PLATE



SECTION A - A

B

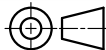
A

THIS DOCUMENT IS THE PROPERTY OF TREBOR
MANUFACTURING. ANY UNAUTHORIZED REPRODUCTION
WILL BE PROSECUTED TO THE FULL EXTENT OF THE LAW

UNLESS OTHERWISE SPECIFIED,
DIMENSIONS ARE IN INCHES

.XX = ±.1-
.XXX = ±.015- ANGULAR = ±1°
.XXXX = ±.005- FRACTIONAL = ±1/8

THIRD ANGLE PROJECTION



DRAWN BY	SHAWN CROCKER	08/01/2021
CHANGED BY	SHAWN CROCKER	12/07/2022

MATERIAL
1/8 ALU MILL

PART NO. TRIDPL1224 REV. B

ONE DOOR RECESSED DOOR TOOL BOX - 24 X 12 X 24 - X1 T-HANDLE -
OPEN DOWN - WITH 1.5IN FRAME

SIZE A DWG NO. D9589 REV. B

SCALE 1:12	WEIGHT 35.92 LB	SHEET 1 of 1
------------	-----------------	--------------

2

1