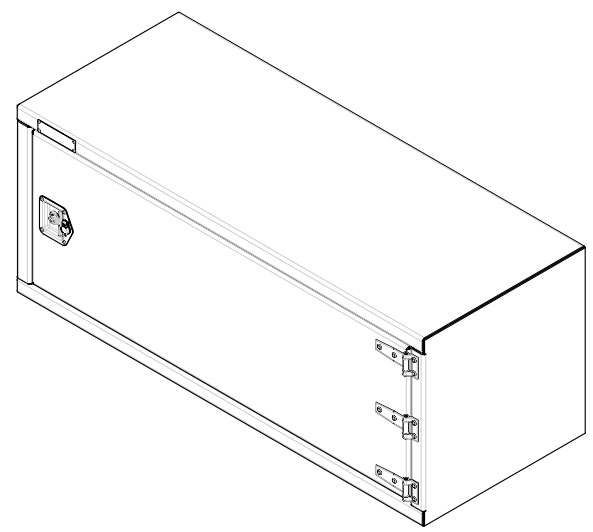
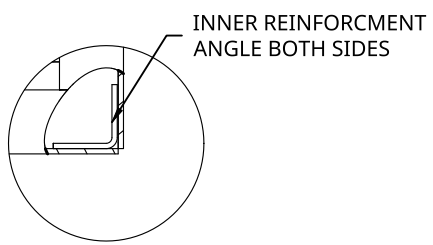
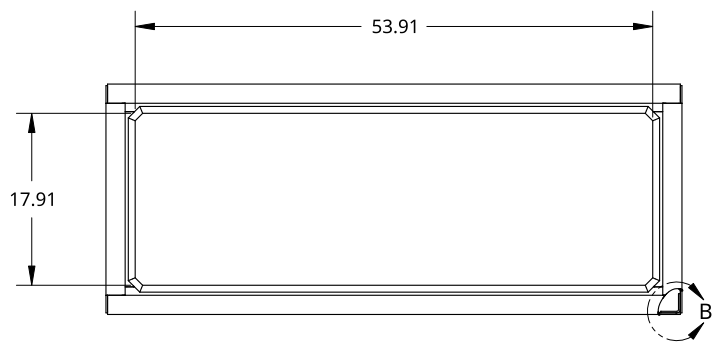


2

1

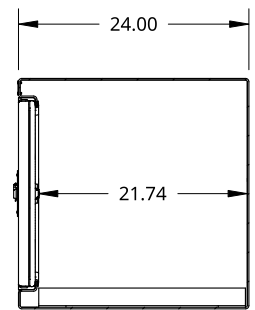
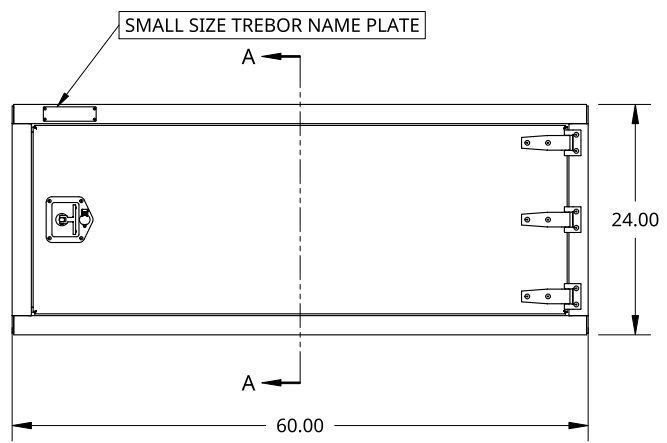
B

B



A

A



SECTION A - A

<small>THIS DOCUMENT IS THE PROPERTY OF TREBOR MANUFACTURING. ANY UNAUTHORIZED REPRODUCTION WILL BE PROSECUTED TO THE FULL EXTENT OF THE LAW</small>				PART NO. TRID2460R		REV. A
<small>UNLESS OTHERWISE SPECIFIED, DIMENSIONS ARE IN INCHES .XX = ±.1- .XXX = ±.015- .XXXX = ±.005-</small>		<small>ANGULAR = ±1° FRACTIONAL = ±1/8</small>		ONE DOOR RECESSED DOOR TOOL BOX - 24 X 24 X 60 - X1 T-HANDLE - X3 HINGES - OPEN RIGHT		
THIRD ANGLE PROJECTION 		DRAWN SHAWN CROCKER	10/16/2021	SIZE A	DWG NO. D12356	REV. A
		MATERIAL 1/8 ALU CHECKER		SCALE 1:20	WEIGHT 107 LB	SHEET 1 of 1

2

1