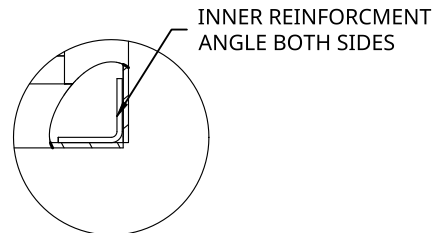


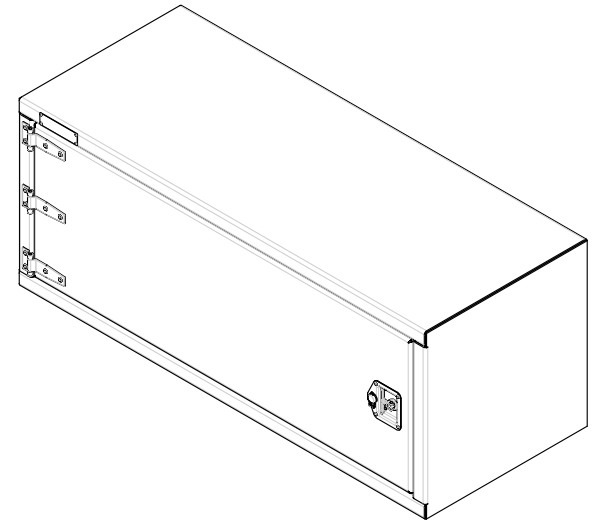
2

1

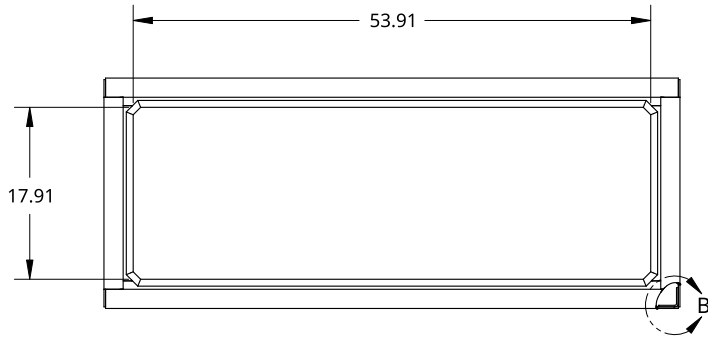


INNER REINFORCEMENT
ANGLE BOTH SIDES

DETAIL B
SCALE 1:6



B

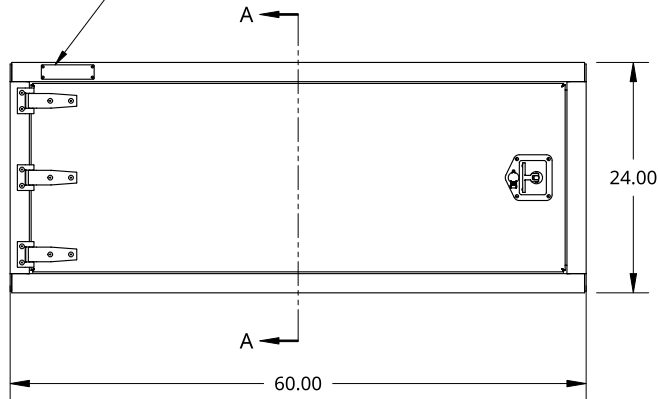


17.91

53.91

B

SMALL SIZE TREBOR NAME PLATE

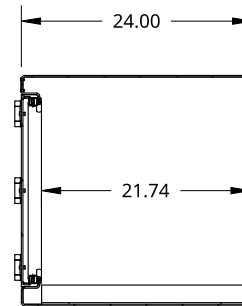


A

24.00

A

60.00



24.00

21.74

SECTION A - A

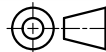
A

THIS DOCUMENT IS THE PROPERTY OF TREBOR
MANUFACTURING. ANY UNAUTHORIZED REPRODUCTION
WILL BE PROSECUTED TO THE FULL EXTENT OF THE LAW

UNLESS OTHERWISE SPECIFIED,
DIMENSIONS ARE IN INCHES

.XX = ±.1- ANGULAR = ±1°
.XXX = ±.015- FRACTIONAL = ±1/8
.XXXX = ±.005-

THIRD ANGLE PROJECTION



DRAWN SHAWN CROCKER 10/16/2021

MATERIAL

1/8 ALU CHECKER

PART NO. TRID2460L REV. A

ONE DOOR RECESSED DOOR TOOL BOX - 24 X 24 X 60 - X1 T-HANDLE -
X3 HINGES - OPEN LEFT

SIZE A DWG NO. D12355 REV. A

SCALE 1:20 WEIGHT 107 LB SHEET 1 of 1

2

1

B

A