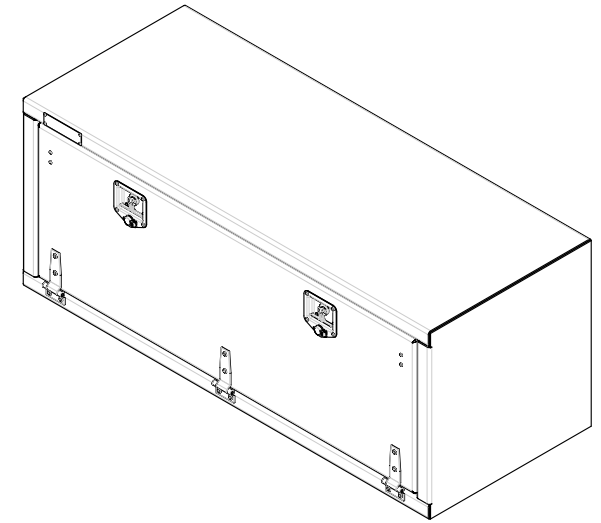
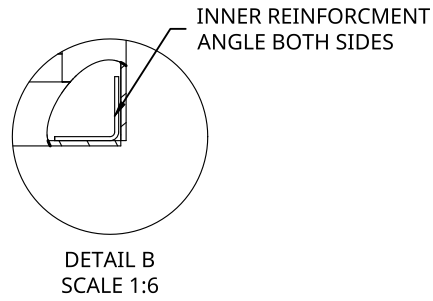
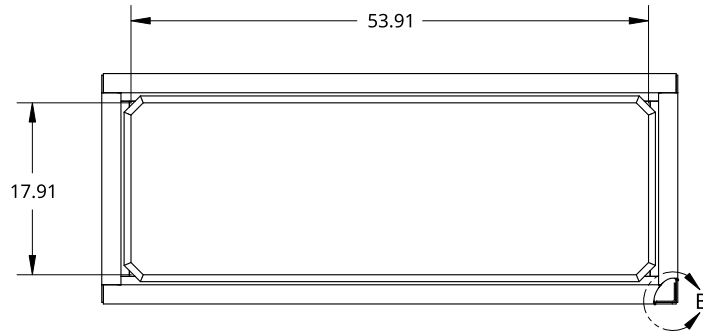
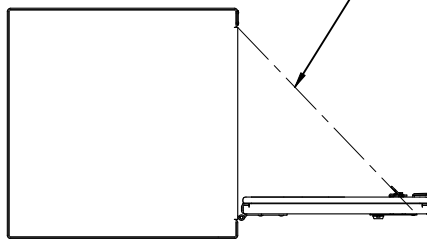


2

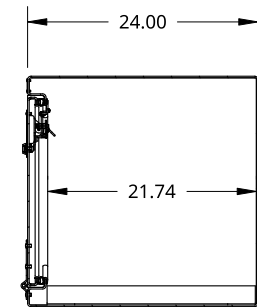
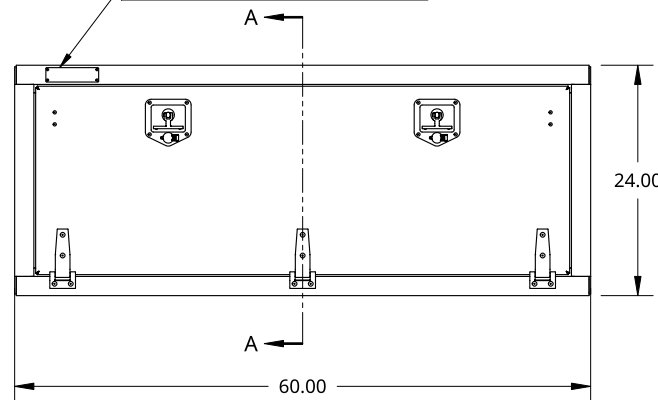
1



X2 DOOR CHAIN TO HOLD DOOR AT 90 DEG.



SMALL SIZE TREBOR NAME PLATE



SECTION A - A

B

B

A

A

2

1

<small>THIS DOCUMENT IS THE PROPERTY OF TREBOR MANUFACTURING. ANY UNAUTHORIZED REPRODUCTION WILL BE PROSECUTED TO THE FULL EXTENT OF THE LAW</small>				PART NO. <b>TRID2460</b>	REV. <b>C</b>
<small>UNLESS OTHERWISE SPECIFIED, DIMENSIONS ARE IN INCHES</small> <small>.XX = ±.1-      ANGULAR = ±1°</small> <small>.XXX = ±.015-      FRACTIONAL = ±1/8</small> <small>.XXXX = ±.005-      FRACTIONAL = ±1/8</small>		DRAWN BY    SHAWN CROCKER    08/03/2021 CHANGED BY   SHAWN CROCKER    12/01/2022	ONE DOOR RECESSED DOOR TOOL BOX - 24 X 24 X 60 - X2 T-HANDLES - X3 HINGES - OPEN DOWN		
THIRD ANGLE PROJECTION 		MATERIAL <b>1/8 ALU CHECKER</b>		SIZE <b>A</b> DWG NO. <b>D9322</b>	REV. <b>C</b>
		SCALE <b>1:20</b>	WEIGHT <b>107 LB</b>	SHEET <b>1 of 1</b>	