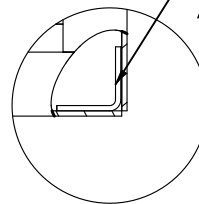
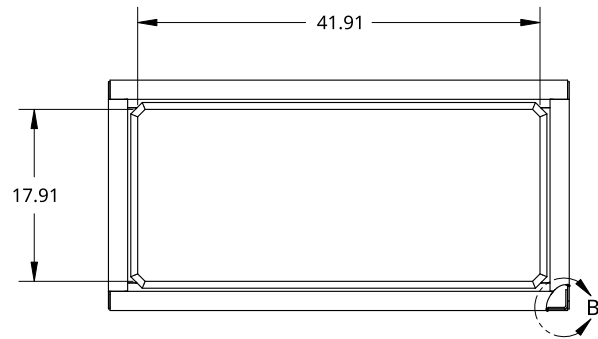


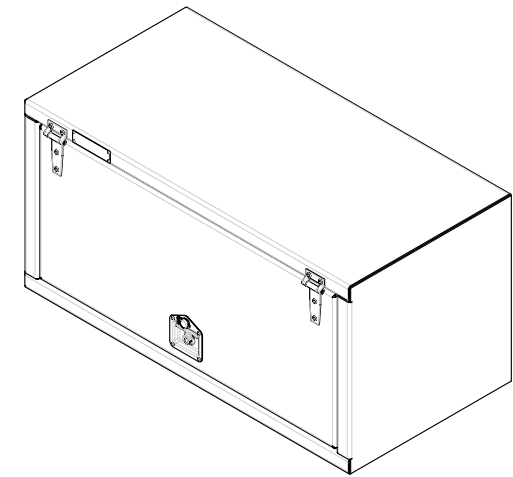
2

1



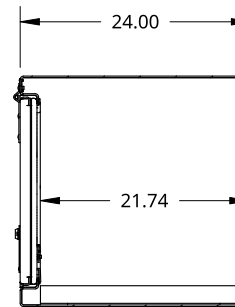
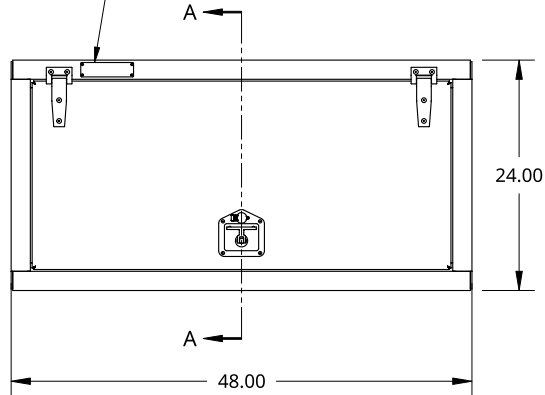
INNER REINFORCEMENT  
ANGLE BOTH SIDES

DETAIL B  
SCALE 1:6



B

SMALL SIZE TREBOR NAME PLATE



SECTION A - A

A

THIS DOCUMENT IS THE PROPERTY OF TREBOR  
MANUFACTURING. ANY UNAUTHORIZED REPRODUCTION  
WILL BE PROSECUTED TO THE FULL EXTENT OF THE LAW

UNLESS OTHERWISE SPECIFIED,  
DIMENSIONS ARE IN INCHES

.XX = ±.1-

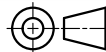
.XXX = ±.015-

.XXXX = ±.005-

ANGULAR = ±1°

FRACTIONAL = ±1/8

THIRD ANGLE PROJECTION



DRAWN

SHAWN CROCKER

10/16/2021

MATERIAL

1/8 ALU CHECKER

PART NO.

TRID2448U

REV.

A

ONE DOOR RECESSED DOOR TOOL BOX - 24 X 24 X 48 - X1 T-HANDLE -  
OPEN UP

SIZE

A

DWG NO.

D12354

REV.

A

SCALE 1:20

WEIGHT

88.29 LB

SHEET

1 of 1

2

1

B

A