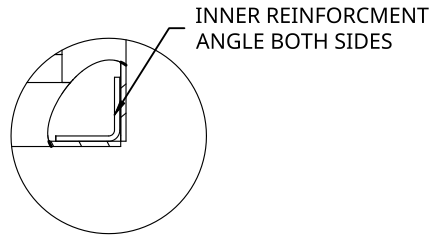
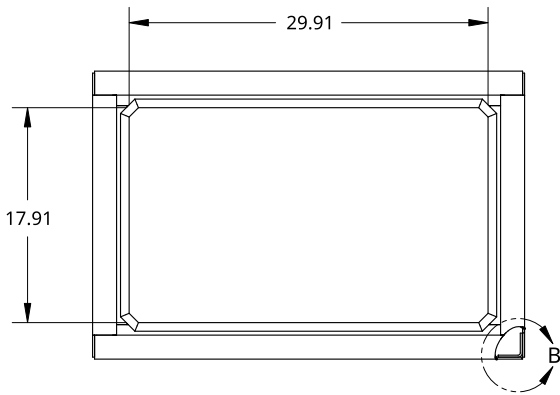
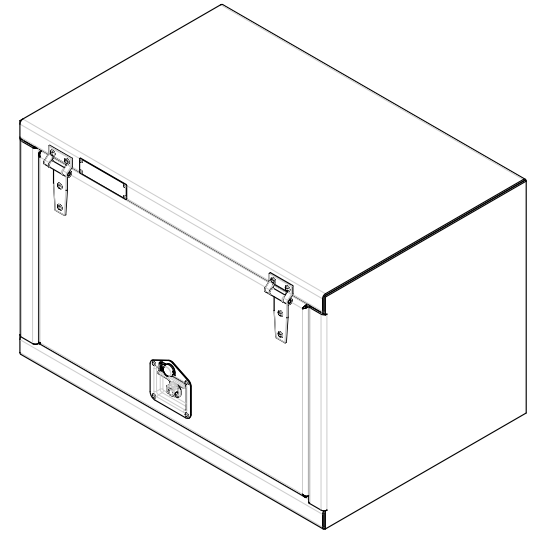


2

1

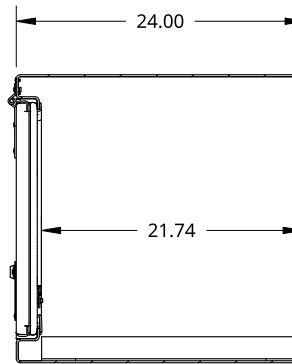
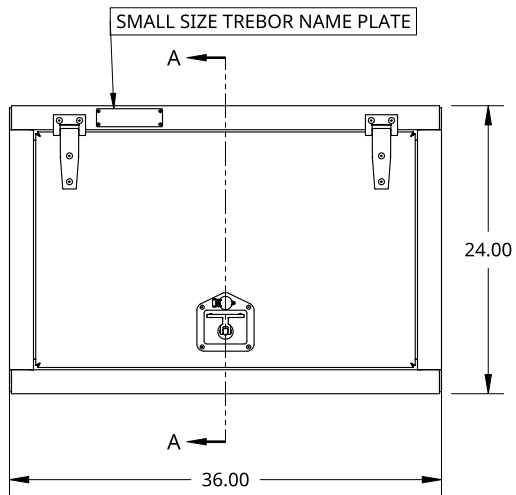


DETAIL B
SCALE 1:6



B



B



SECTION A - A

A

A

<small>THIS DOCUMENT IS THE PROPERTY OF TREBOR MANUFACTURING. ANY UNAUTHORIZED REPRODUCTION WILL BE PROSECUTED TO THE FULL EXTENT OF THE LAW</small>				PART NO. TRID2436U		REV. A	
<small>UNLESS OTHERWISE SPECIFIED, DIMENSIONS ARE IN INCHES .XX = ±.1- .XXX = ±.015- .XXXX = ±.005-</small>		<small>ANGULAR = ±1° FRACTIONAL = ±1/8</small>		ONE DOOR RECESSED DOOR TOOL BOX - 24 X 24 X 36 - X1 T-HANDLE - OPEN UP			
<small>THIRD ANGLE PROJECTION</small> 		MATERIAL 1/8 ALU CHECKER		SIZE A	DWG NO. D12351		REV. A
				SCALE 1:16	WEIGHT 71.56 LB	SHEET 1 of 1	

2

1