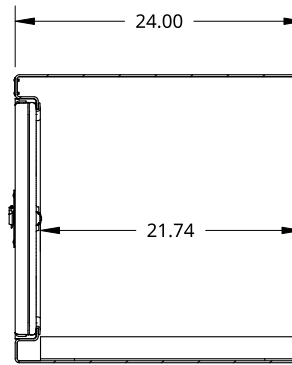
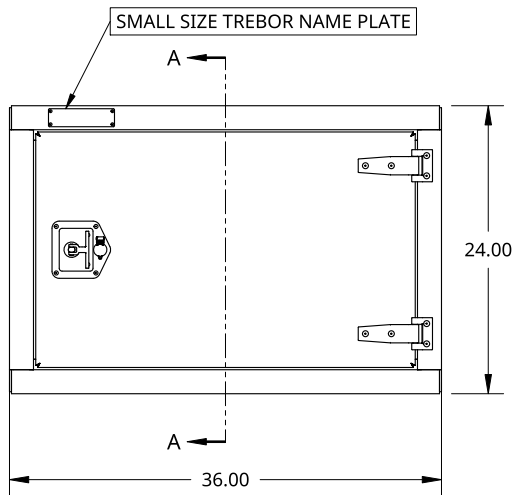
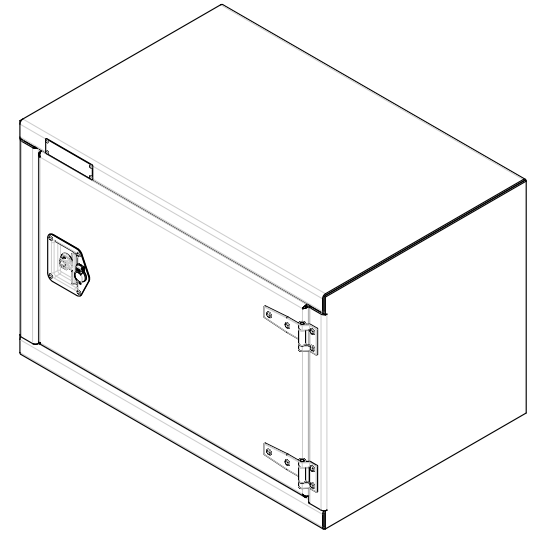
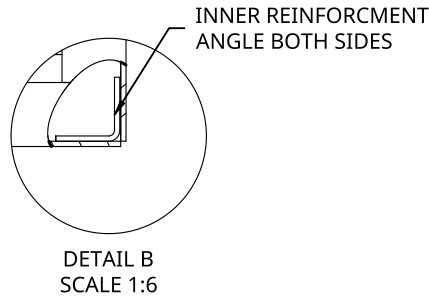
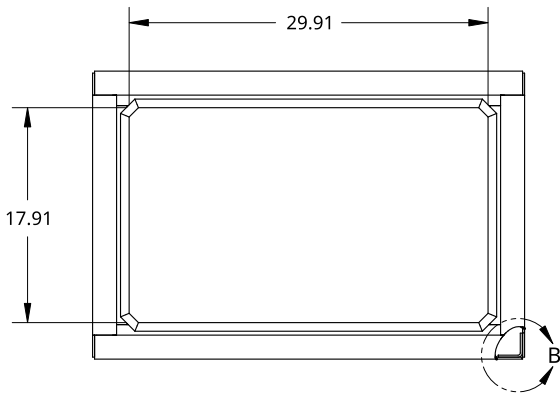


2

1



SECTION A - A

<small>THIS DOCUMENT IS THE PROPERTY OF TREBOR MANUFACTURING. ANY UNAUTHORIZED REPRODUCTION WILL BE PROSECUTED TO THE FULL EXTENT OF THE LAW</small>				PART NO. TRID2436R		REV. A
<small>UNLESS OTHERWISE SPECIFIED, DIMENSIONS ARE IN INCHES .XX = ±.1- .XXX = ±.015- .XXXX = ±.005- ANGULAR = ±1° FRACTIONAL = ±1/8</small>		DRAWN SHAWN CROCKER 10/16/2021		ONE DOOR RECESSED DOOR TOOL BOX - 24 X 24 X 36 - X1 T-HANDLE - OPEN RIGHT		
THIRD ANGLE PROJECTION 		MATERIAL 1/8 ALU CHECKER		SIZE A	DWG NO. D12350	REV. A
		SCALE 1:16	WEIGHT 71.56 LB	SHEET 1 of 1		

2

1