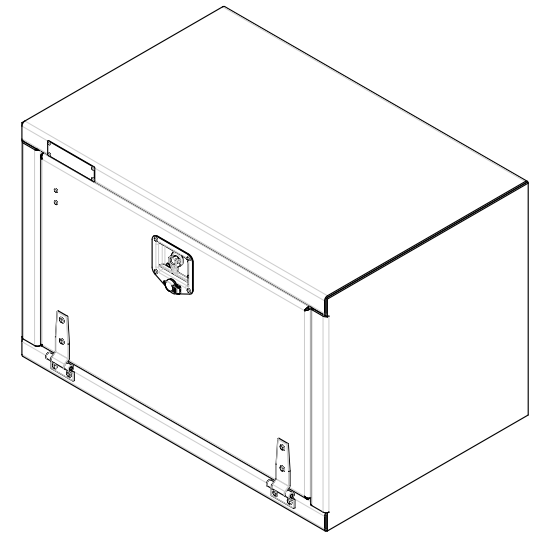
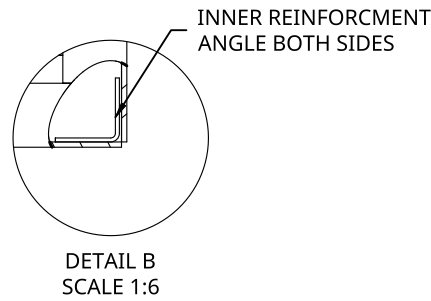
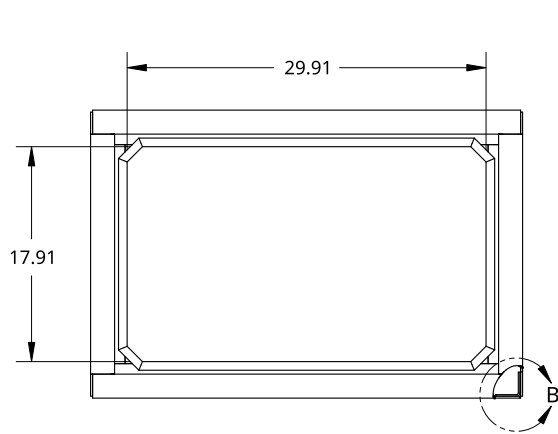
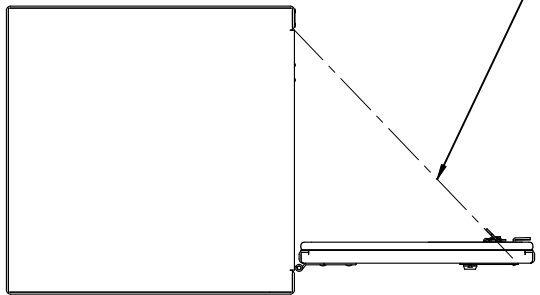


2

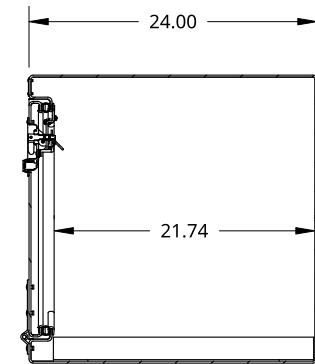
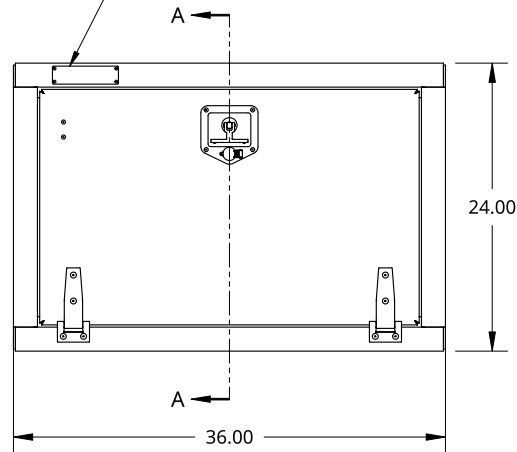
1



X1 DOOR CHAIN TO HOLD DOOR AT 90 DEG.



SMALL SIZE TREBOR NAME PLATE



SECTION A - A

<small>THIS DOCUMENT IS THE PROPERTY OF TREBOR MANUFACTURING. ANY UNAUTHORIZED REPRODUCTION WILL BE PROSECUTED TO THE FULL EXTENT OF THE LAW</small>				PART NO. <b>TRID2436</b>	REV. <b>B</b>
<small>UNLESS OTHERWISE SPECIFIED, DIMENSIONS ARE IN INCHES</small> <small>.XX = ±.1-      ANGULAR = ±1°</small> <small>.XXX = ±.015-    FRACTIONAL = ±1/8</small> <small>.XXXX = ±.005-</small>		<small>DRAWN BY</small> SHAWN CROCKER    08/02/2021 <small>CHANGED BY</small> SHAWN CROCKER    12/01/2022	ONE DOOR RECESSED DOOR TOOL BOX - 24 X 24 X 36 - X1 T-HANDLE - OPEN DOWN		
<small>THIRD ANGLE PROJECTION</small> 		<small>MATERIAL</small> <b>1/8 ALU CHECKER</b>		<small>SIZE</small> <b>A</b> <small>DWG NO.</small> <b>D9320</b>	<small>REV.</small> <b>B</b>
		<small>SCALE</small> <b>1:16</b>	<small>WEIGHT</small> <b>71.56 LB</b>	<small>SHEET</small> <b>1 of 1</b>	

2

1

B

B

A

A