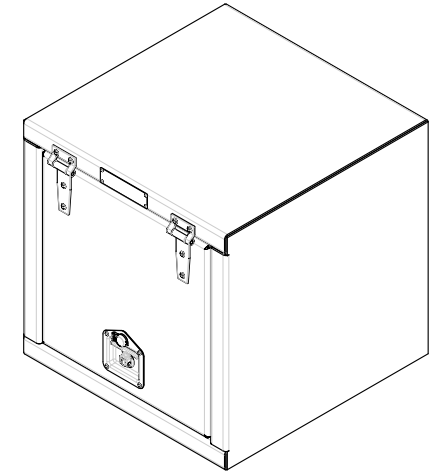
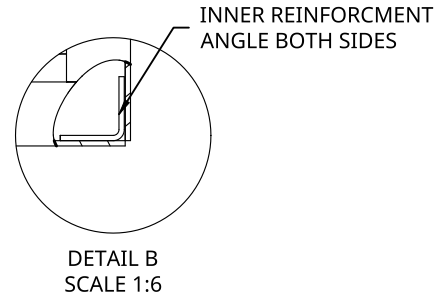
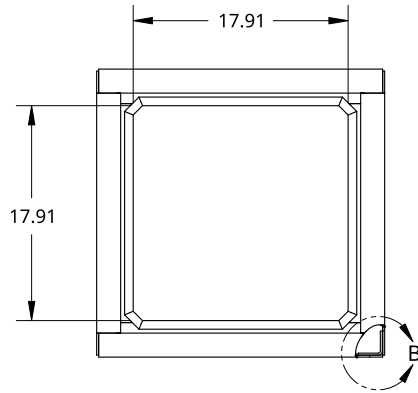
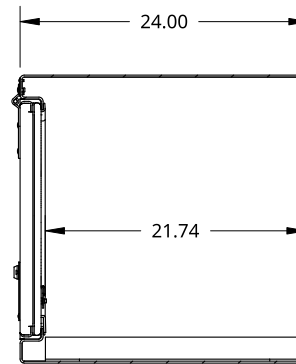
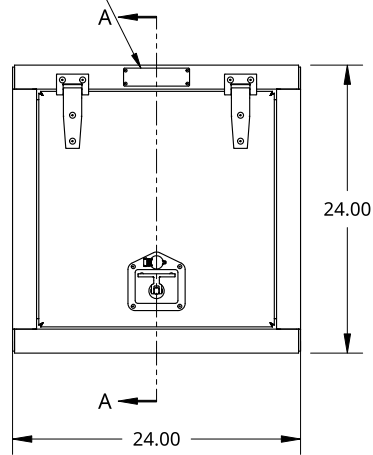


2

1



SMALL SIZE TREBOR NAME PLATE



SECTION A - A

<small>THIS DOCUMENT IS THE PROPERTY OF TREBOR MANUFACTURING. ANY UNAUTHORIZED REPRODUCTION WILL BE PROSECUTED TO THE FULL EXTENT OF THE LAW</small>				PART NO. <b>TRID2424U</b>		REV. <b>A</b>	
<small>UNLESS OTHERWISE SPECIFIED, DIMENSIONS ARE IN INCHES .XX = ±.1- .XXX = ±.015- .XXXX = ±.005-</small>		<small>ANGULAR = ±1° FRACTIONAL = ±1/8</small>		ONE DOOR RECESSED DOOR TOOL BOX - 24 X 24 X 24 - X1 T-HANDLE - OPEN UP			
THIRD ANGLE PROJECTION 		MATERIAL <b>1/8 ALU CHECKER</b>		SIZE <b>A</b>	DWG NO. <b>D12348</b>		REV. <b>A</b>
				SCALE <b>1:16</b>	WEIGHT <b>54.82 LB</b>	SHEET <b>1 of 1</b>	

2

1

B

B

A

A