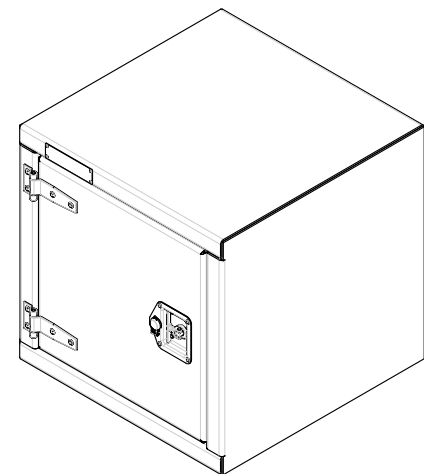
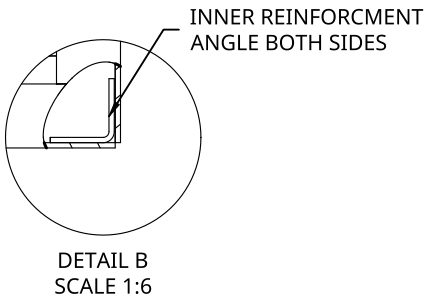
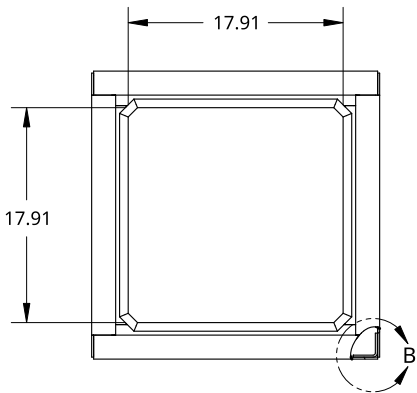


2

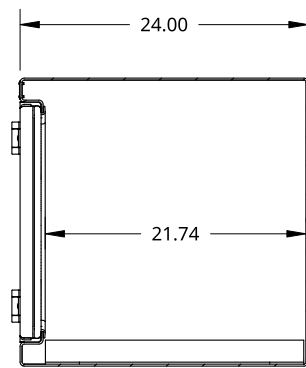
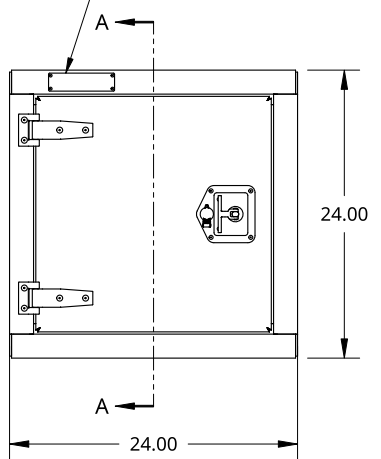
1



B

B

SMALL SIZE TREBOR NAME PLATE



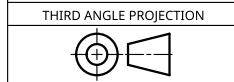
SECTION A - A

A

A

THIS DOCUMENT IS THE PROPERTY OF TREBOR MANUFACTURING. ANY UNAUTHORIZED REPRODUCTION WILL BE PROSECUTED TO THE FULL EXTENT OF THE LAW

UNLESS OTHERWISE SPECIFIED, DIMENSIONS ARE IN INCHES  
.XX = ±.1-  
.XXX = ±.015- ANGULAR = ±1°  
.XXXX = ±.005- FRACTIONAL = ±1/8



DRAWN SHAWN CROCKER 10/16/2021

MATERIAL 1/8 ALU CHECKER

PART NO. TRID2424L REV. A

ONE DOOR RECESSED DOOR TOOL BOX - 24 X 24 X 24 - X1 T-HANDLE - OPEN LEFT

SIZE A DWG NO. D12346 REV. A

SCALE 1:16 WEIGHT 54.82 LB SHEET 1 of 1

2

1