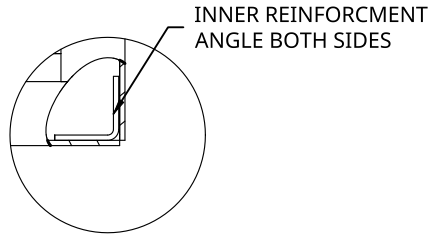
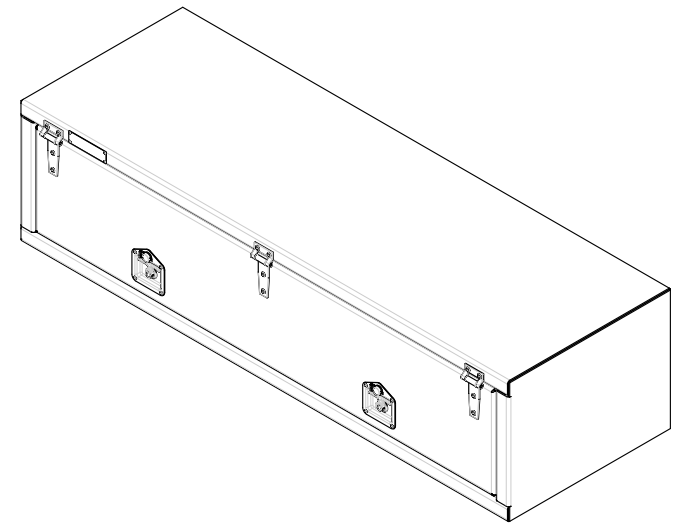


2

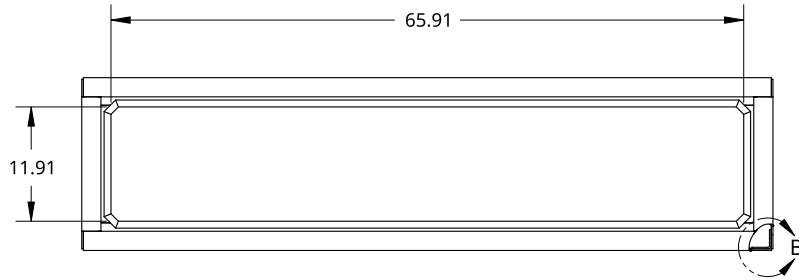
1



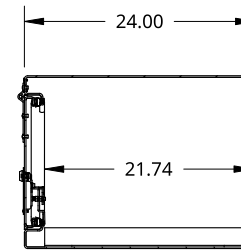
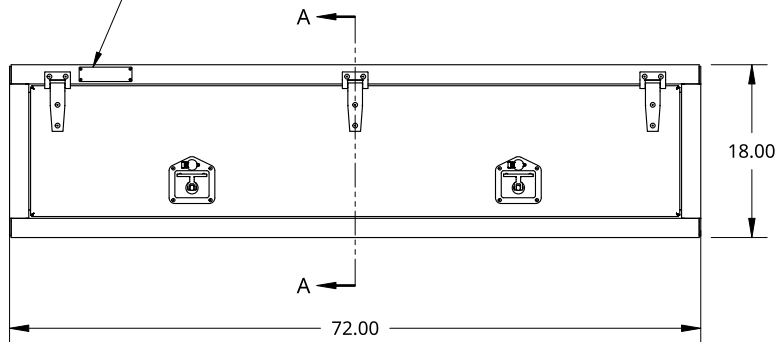
DETAIL B  
SCALE 1:6



B



SMALL SIZE TREBOR NAME PLATE



SECTION A - A

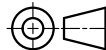
A

THIS DOCUMENT IS THE PROPERTY OF TREBOR MANUFACTURING. ANY UNAUTHORIZED REPRODUCTION WILL BE PROSECUTED TO THE FULL EXTENT OF THE LAW

UNLESS OTHERWISE SPECIFIED, DIMENSIONS ARE IN INCHES

.XX = ±.1-  
.XXX = ±.015-  
.XXXX = ±.005-  
ANGULAR = ±1°  
FRACTIONAL = ±1/8

THIRD ANGLE PROJECTION



DRAWN SHAWN CROCKER 10/16/2021

MATERIAL

1/8 ALU CHECKER

PART NO. TRID1872U REV. A

ONE DOOR RECESSED DOOR TOOL BOX - 24 X 18 X 72 - X2 T-HANDLES - X3 HINGES - OPEN UP

SIZE A DWG NO. D12345 REV. A

SCALE 1:20 WEIGHT 107.74 LB SHEET 1 of 1

2

1

B

A