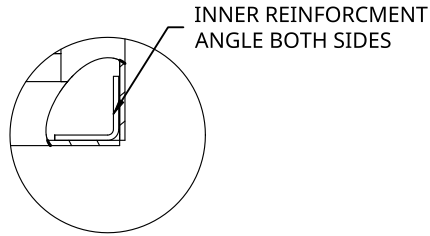


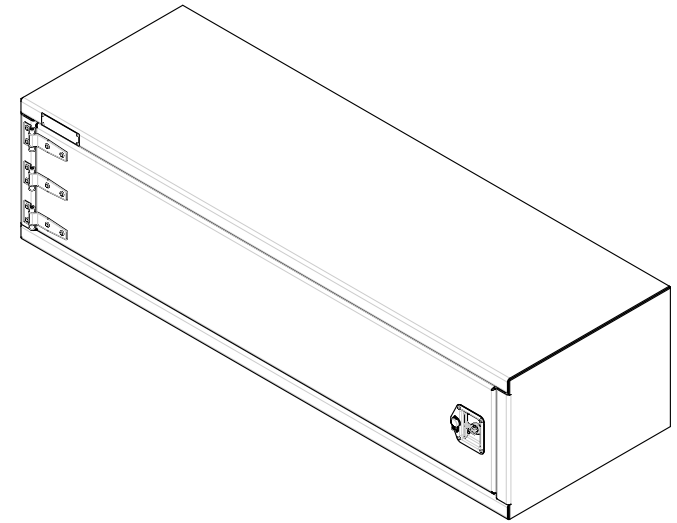
2

1

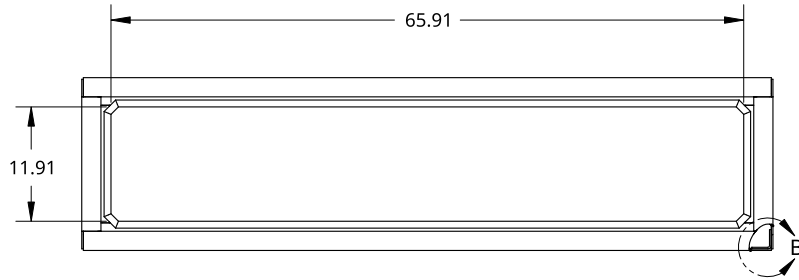


INNER REINFORCEMENT  
ANGLE BOTH SIDES

DETAIL B  
SCALE 1:6



B

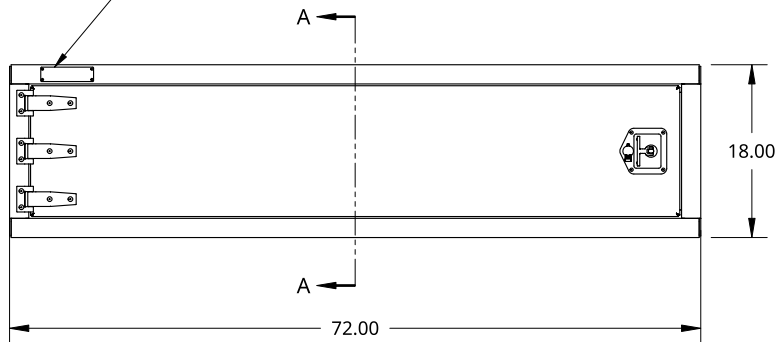


11.91

65.91

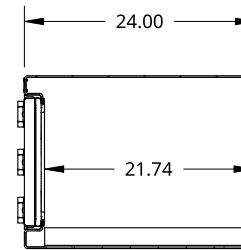
B

SMALL SIZE TREBOR NAME PLATE



18.00

72.00



SECTION A - A

24.00

21.74

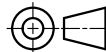
A

THIS DOCUMENT IS THE PROPERTY OF TREBOR  
MANUFACTURING. ANY UNAUTHORIZED REPRODUCTION  
WILL BE PROSECUTED TO THE FULL EXTENT OF THE LAW

UNLESS OTHERWISE SPECIFIED,  
DIMENSIONS ARE IN INCHES

.XX = ±.1-  
.XXX = ±.015-  
.XXXX = ±.005-  
ANGULAR = ±1°  
FRACTIONAL = ±1/8

THIRD ANGLE PROJECTION



DRAWN SHAWN CROCKER 10/16/2021

MATERIAL

1/8 ALU CHECKER

PART NO. TRID1872L REV. A

ONE DOOR RECESSED DOOR TOOL BOX - 24 X 18 X 72 - X1 T-HANDLE - X3 HINGES - OPEN LEFT

SIZE A DWG NO. D12343 REV. A

SCALE 1:20 WEIGHT 107.74 LB SHEET 1 of 1

2

1

B

A