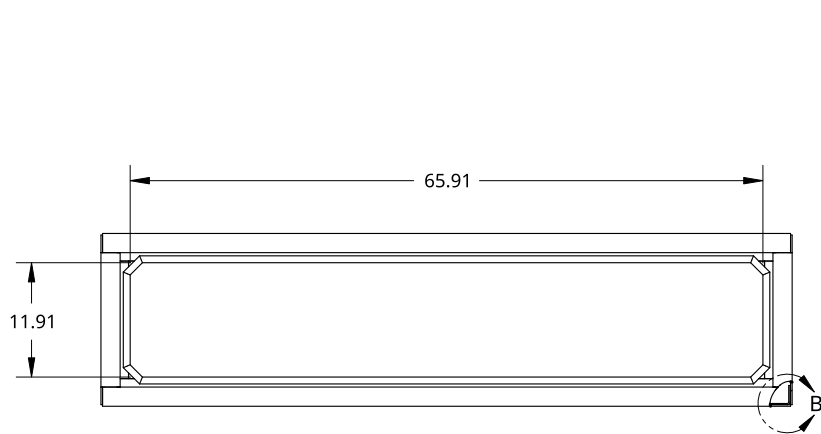


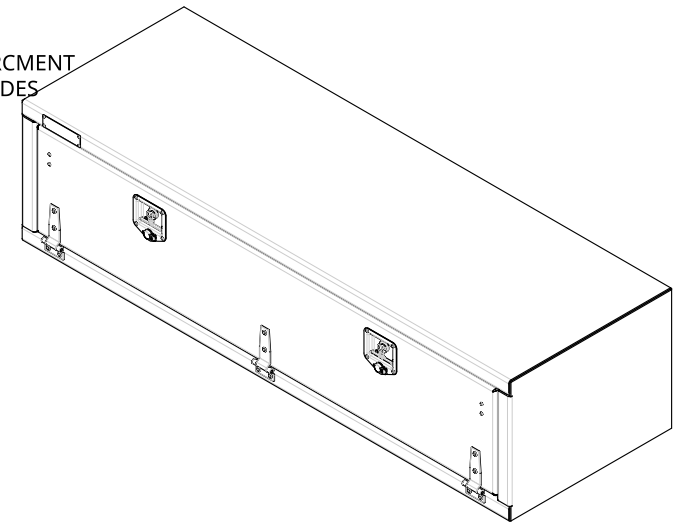
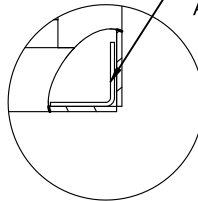
2

1

B

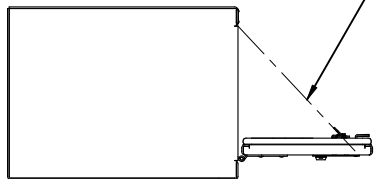


INNER REINFORCEMENT
ANGLE BOTH SIDES

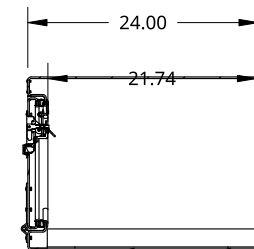
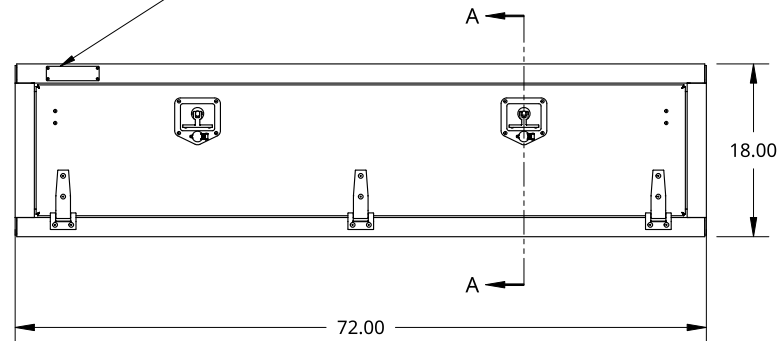


B

X2 DOOR CHAIN TO HOLD
DOOR AT 90 DEG.



SMALL SIZE TREBOR NAME PLATE



SECTION A - A

A

A

2

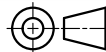
1

THIS DOCUMENT IS THE PROPERTY OF TREBOR
MANUFACTURING. ANY UNAUTHORIZED REPRODUCTION
WILL BE PROSECUTED TO THE FULL EXTENT OF THE LAW

UNLESS OTHERWISE SPECIFIED,
DIMENSIONS ARE IN INCHES

.XX = ±.1-
.XXX = ±.015- ANGULAR = ±1°
.XXXX = ±.005- FRACTIONAL = ±1/8

THIRD ANGLE PROJECTION



DRAWN BY	RAUL MANRIQUE	10/31/2022
CHANGED BY	SHAWN CROCKER	12/01/2022

MATERIAL
1/8 ALU CHECKER

PART NO. TRID1872

REV. B

ONE DOOR RECESSED DOOR TOOL BOX - 24 X 18 X 72 - X2 T-HANDLES - X3 HINGES - OPEN DOWN

SIZE A DWG NO. D9318

REV. B

SCALE 1:20	WEIGHT 107.74 LB	SHEET 1 of 1
------------	------------------	--------------