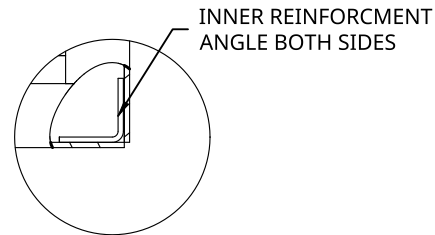
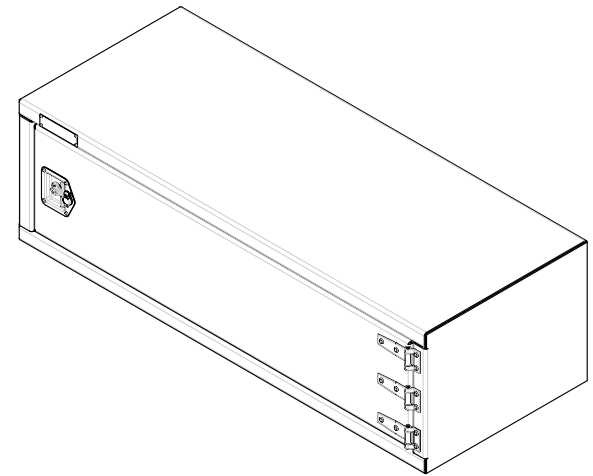
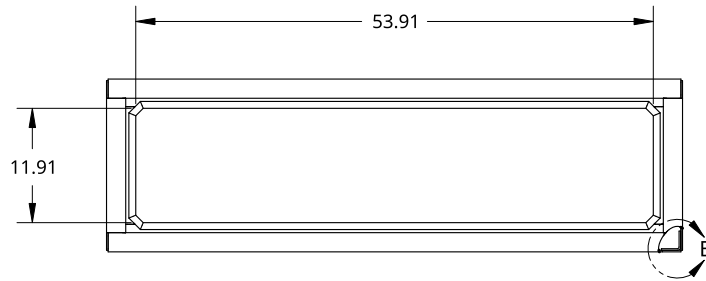


2

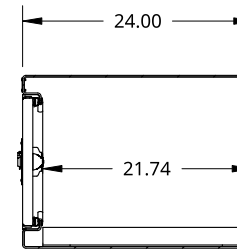
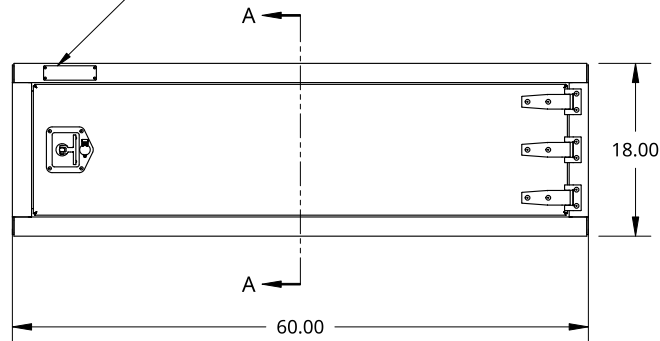
1



DETAIL B
SCALE 1:6



SMALL SIZE TREBOR NAME PLATE



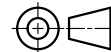
SECTION A - A

THIS DOCUMENT IS THE PROPERTY OF TREBOR MANUFACTURING. ANY UNAUTHORIZED REPRODUCTION WILL BE PROSECUTED TO THE FULL EXTENT OF THE LAW

UNLESS OTHERWISE SPECIFIED, DIMENSIONS ARE IN INCHES

.XX = ±.1-
.XXX = ±.015- ANGULAR = ±1°
.XXXX = ±.005- FRACTIONAL = ±1/8

THIRD ANGLE PROJECTION



DRAWN SHAWN CROCKER 10/16/2021

MATERIAL
1/8 ALU CHECKER

PART NO. TRID1860R REV. A

ONE DOOR RECESSED DOOR TOOL BOX - 24 X 18 X 60 - X1 T-HANDLE - X3 HINGES - OPEN RIGHT

SIZE A DWG. NO. D12341 REV. A

SCALE 1:20 WEIGHT 92.95 LB SHEET 1 of 1

2

1

B

A

B

A