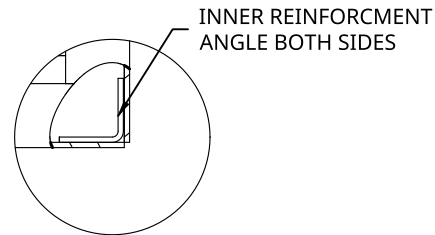
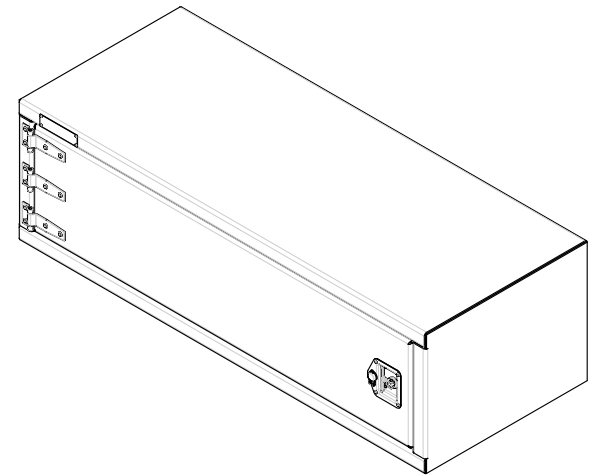


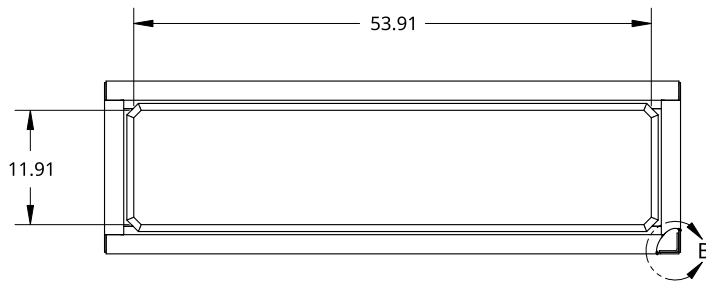
2

1



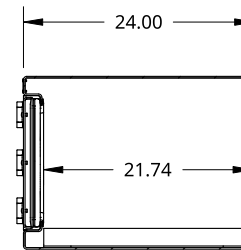
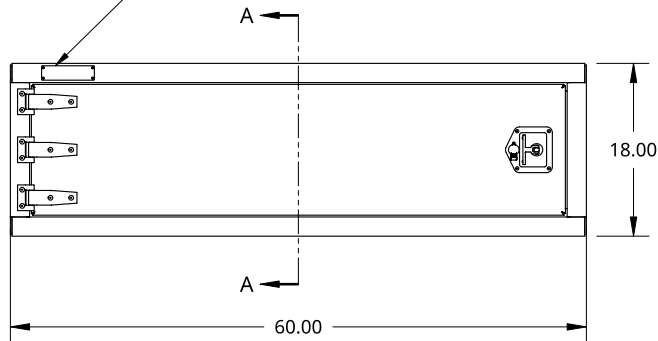
INNER REINFORCEMENT
ANGLE BOTH SIDES

DETAIL B
SCALE 1:6



B

SMALL SIZE TREBOR NAME PLATE



SECTION A - A

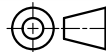
A

THIS DOCUMENT IS THE PROPERTY OF TREBOR
MANUFACTURING. ANY UNAUTHORIZED REPRODUCTION
WILL BE PROSECUTED TO THE FULL EXTENT OF THE LAW

UNLESS OTHERWISE SPECIFIED,
DIMENSIONS ARE IN INCHES

.XX = ±.1- ANGULAR = ±1°
.XXX = ±.015- FRACTIONAL = ±1/8
.XXXX = ±.005-

THIRD ANGLE PROJECTION



DRAWN SHAWN CROCKER 10/16/2021

MATERIAL
1/8 ALU CHECKER

PART NO. TRID1860L REV. A

ONE DOOR RECESSED DOOR TOOL BOX - 24 X 18 X 60 - X1 T-HANDLE -
X3 HINGES - OPEN LEFT

SIZE A DWG. NO. D12340 REV. A

SCALE 1:20 WEIGHT 92.95 LB SHEET 1 of 1

2

1

A