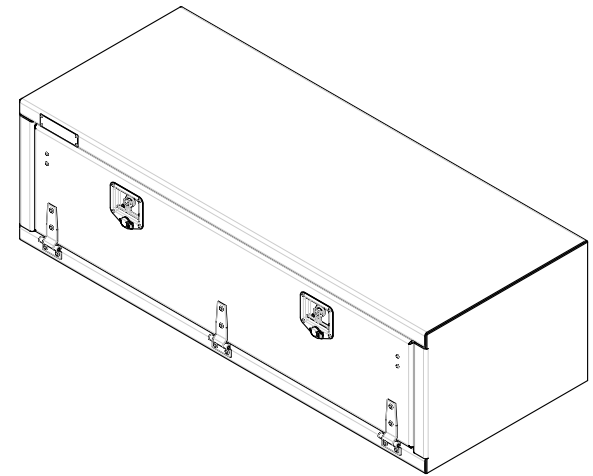
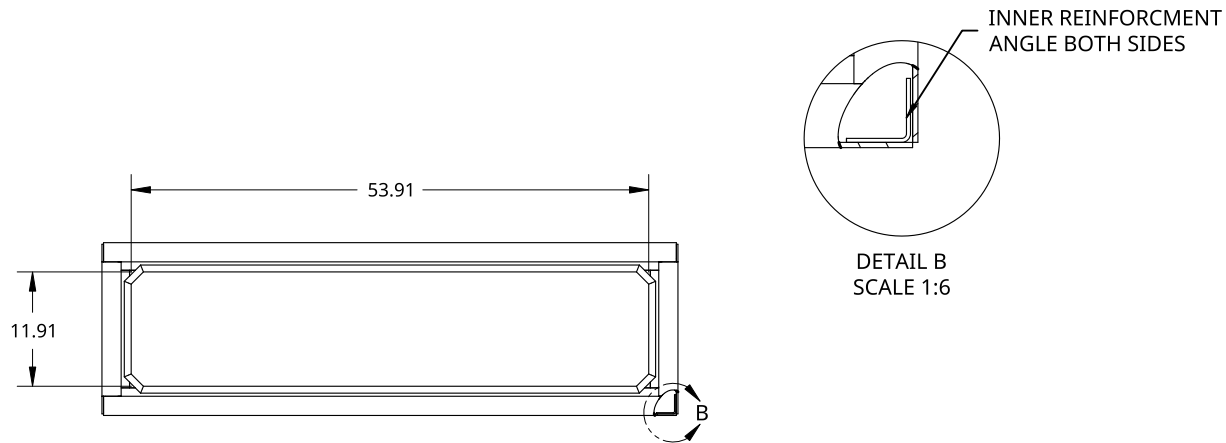


2

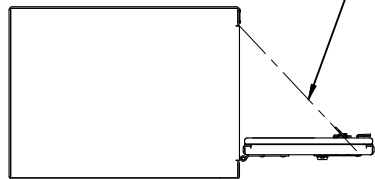
1

B

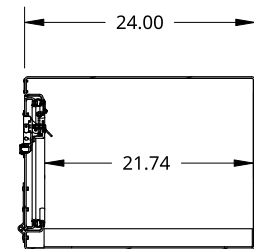
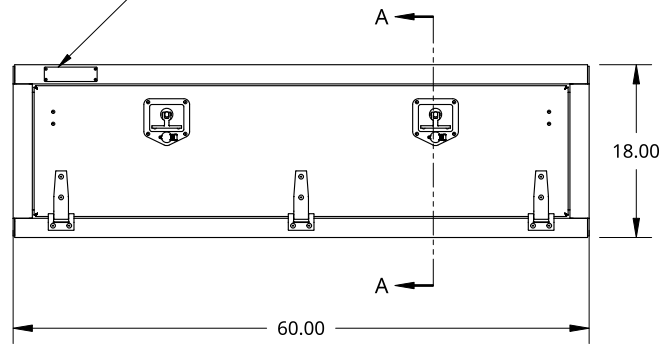


B

X2 DOOR CHAIN TO HOLD
DOOR AT 90 DEG.



SMALL SIZE TREBOR NAME PLATE



SECTION A - A

A

A

THIS DOCUMENT IS THE PROPERTY OF TREBOR
MANUFACTURING. ANY UNAUTHORIZED REPRODUCTION
WILL BE PROSECUTED TO THE FULL EXTENT OF THE LAW



PART NO. TRID1860 REV. B

UNLESS OTHERWISE SPECIFIED,
DIMENSIONS ARE IN INCHES

.XX = ±.1-
.XXX = ±.015- ANGULAR = ±1°
.XXXX = ±.005- FRACTIONAL = ±1/8

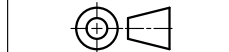
DRAWN BY	SHAWN CROCKER	08/03/2021
CHANGED BY	SHAWN CROCKER	12/01/2022

ONE DOOR RECESSED DOOR TOOL BOX - 24 X 18 X 60 - X2 T-HANDLES -
X3 HINGES - OPEN DOWN

THIRD ANGLE PROJECTION

MATERIAL

SIZE A DWG NO. D9317 REV. B



1/8 ALU CHECKER

SCALE 1:20	WEIGHT 92.95 LB	SHEET 1 of 1
------------	-----------------	--------------

2

1