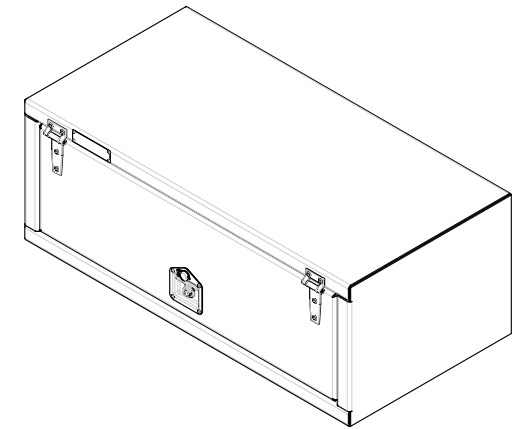
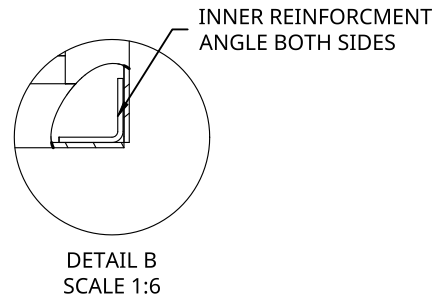
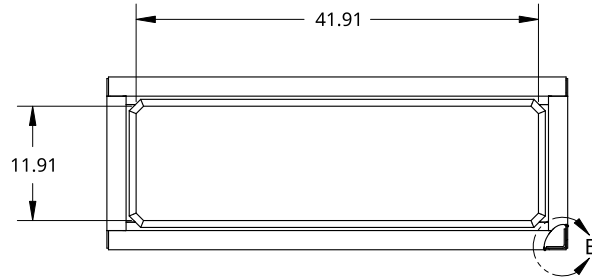


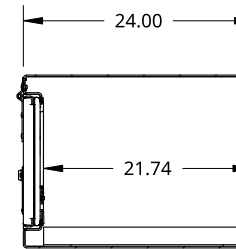
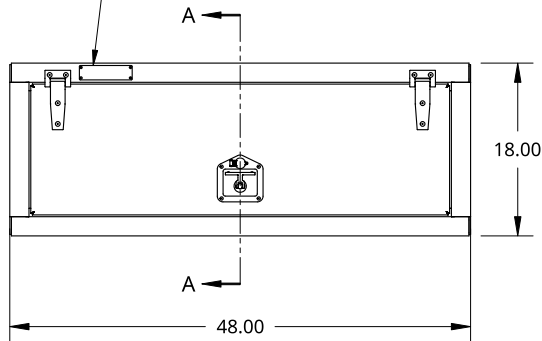
2

1



B

SMALL SIZE TREBOR NAME PLATE



SECTION A - A

A

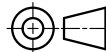
THIS DOCUMENT IS THE PROPERTY OF TREBOR MANUFACTURING. ANY UNAUTHORIZED REPRODUCTION WILL BE PROSECUTED TO THE FULL EXTENT OF THE LAW

UNLESS OTHERWISE SPECIFIED, DIMENSIONS ARE IN INCHES

.XX = ±.1-  
.XXX = ±.015-  
.XXXX = ±.005-

ANGULAR = ±1°  
FRACTIONAL = ±1/8

THIRD ANGLE PROJECTION



DRAWN SHAWN CROCKER 10/16/2021

MATERIAL  
1/8 ALU CHECKER

PART NO. TRID1848U REV. A

ONE DOOR RECESSED DOOR TOOL BOX - 24 X 18 X 48 - X1 T-HANDLE - OPEN UP

SIZE A DWG. NO. D12339 REV. A

SCALE 1:20 WEIGHT 76.14 LB SHEET 1 of 1

2

1

B

A