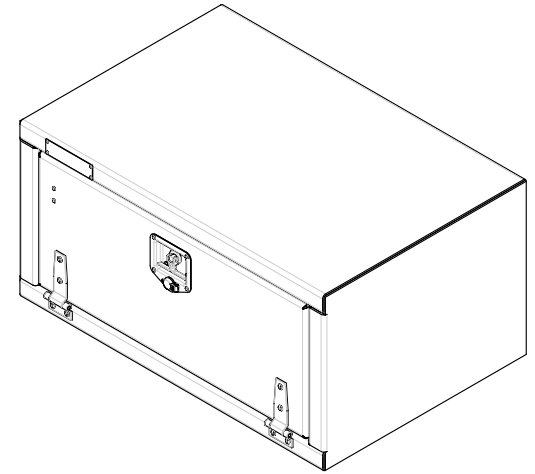
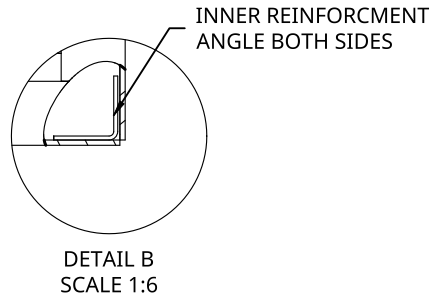
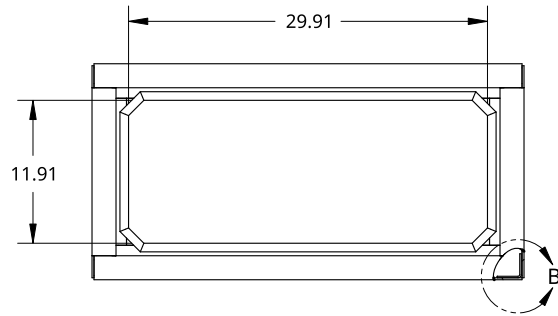
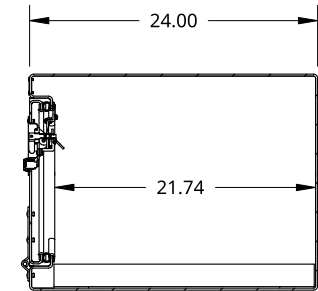
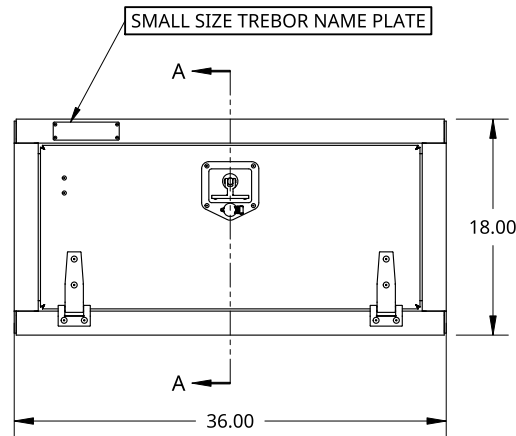
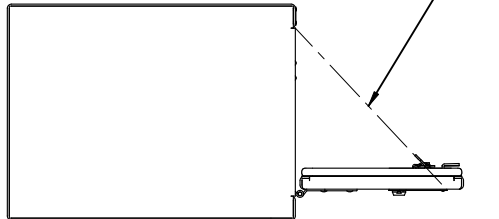


2

1



X1 DOOR CHAIN TO HOLD DOOR AT 90 DEG.



SECTION A - A

<small>THIS DOCUMENT IS THE PROPERTY OF TREBOR MANUFACTURING. ANY UNAUTHORIZED REPRODUCTION WILL BE PROSECUTED TO THE FULL EXTENT OF THE LAW</small>				PART NO. TRID1836	REV. C
<small>UNLESS OTHERWISE SPECIFIED, DIMENSIONS ARE IN INCHES</small> <small>.XX = ±.1- ANGULAR = ±1°</small> <small>.XXX = ±.015- FRACTIONAL = ±1/8</small> <small>.XXXX = ±.005-</small>		DRAWN BY SHAWN CROCKER 08/02/2021 CHANGED BY SHAWN CROCKER 12/01/2022	ONE DOOR RECESSED DOOR TOOL BOX - 24 X 18 X 36 - X1 T-HANDLE - OPEN DOWN		
THIRD ANGLE PROJECTION 		MATERIAL 1/8 ALU CHECKER		SIZE A DWG NO. D9315	REV. C
		SCALE 1:16	WEIGHT 46.47 LB	SHEET 1 of 1	

2

1