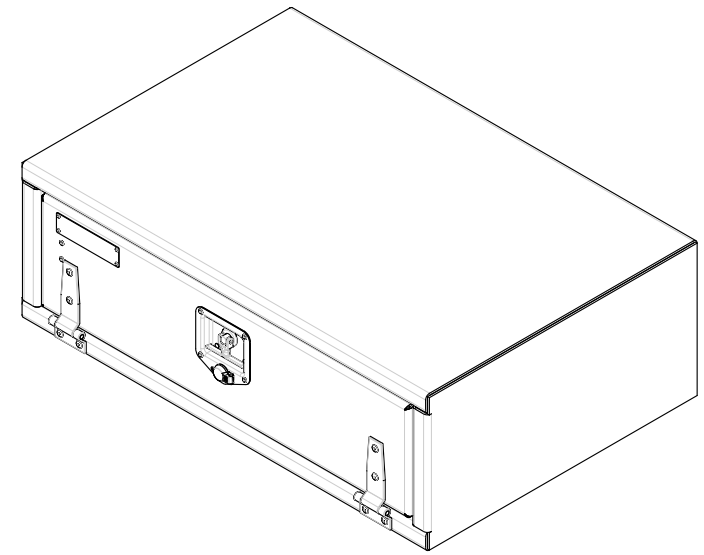
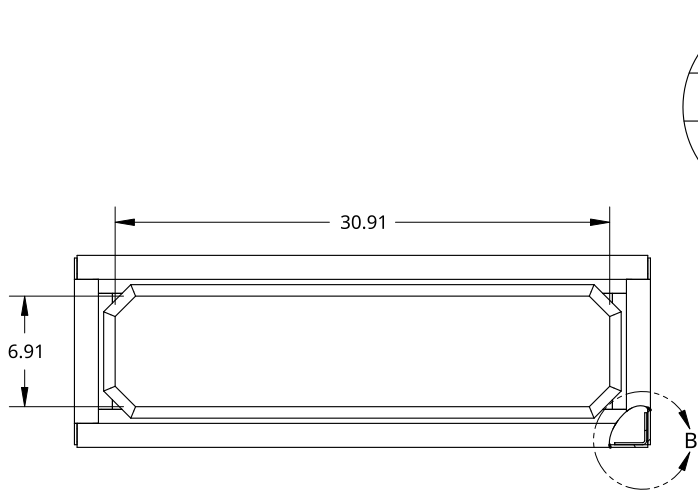


2

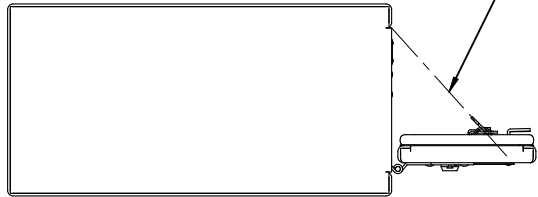
1

B

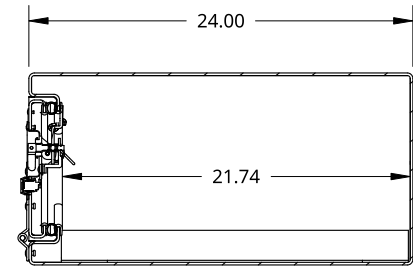
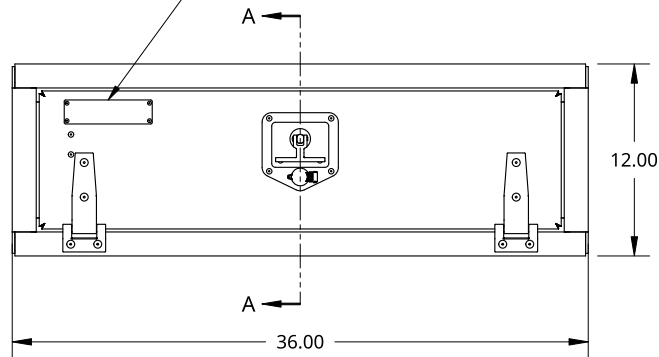
A



X1 DOOR CHAIN TO HOLD
DOOR AT 90 DEG.



SMALL SIZE TREBOR NAME PLATE

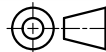


THIS DOCUMENT IS THE PROPERTY OF TREBOR
MANUFACTURING. ANY UNAUTHORIZED REPRODUCTION
WILL BE PROSECUTED TO THE FULL EXTENT OF THE LAW

UNLESS OTHERWISE SPECIFIED,
DIMENSIONS ARE IN INCHES

.XX = ±.1-
.XXX = ±.015- ANGULAR = ±1°
.XXXX = ±.005- FRACTIONAL = ±1/8

THIRD ANGLE PROJECTION



DRAWN BY	SHAWN CROCKER	08/02/2021
CHANGED BY	SHAWN CROCKER	12/01/2022

MATERIAL
1/8 ALU CHECKER

PART NO.	TRID1236	REV.	B
----------	----------	------	---

ONE DOOR RECESSED DOOR TOOL BOX - 24 X 12 X 36 - X1 T-HANDLE -
OPEN DOWN - WITH 1.5IN FRAME

SIZE	A	DWG NO.	D9314	REV.	B
------	---	---------	-------	------	---

SCALE	1:12	WEIGHT	38.33 LB	SHEET	1 of 1
-------	------	--------	----------	-------	--------

2

1