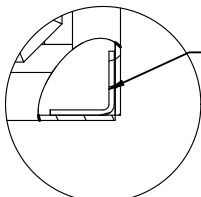
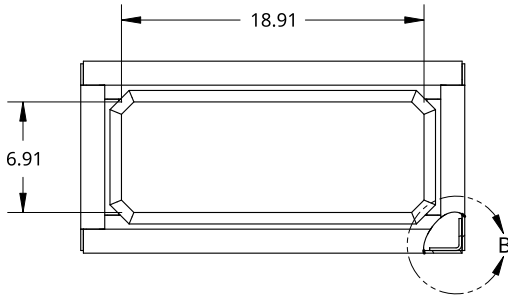


2

1

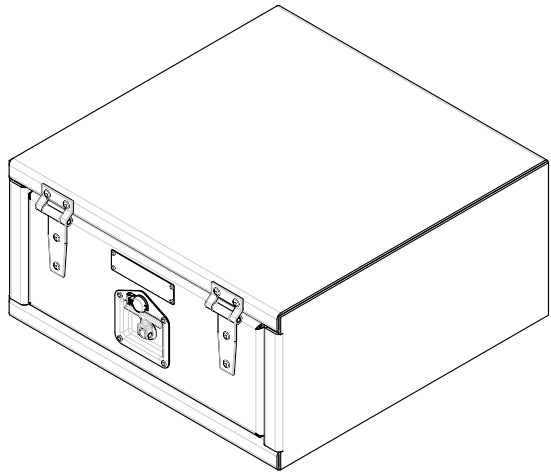
B

A

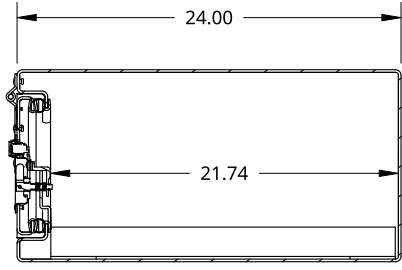
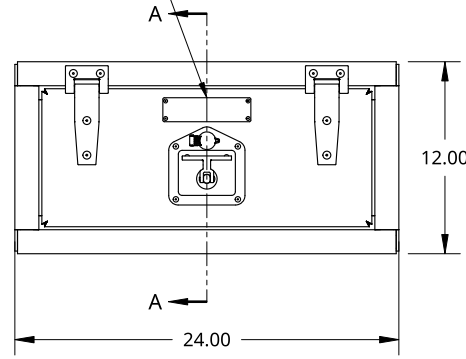


INNER REINFORCEMENT  
ANGLE BOTH SIDES

DETAIL B  
SCALE 1:6



SMALL SIZE TREBOR NAME PLATE



SECTION A - A

B

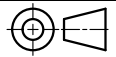
A

THIS DOCUMENT IS THE PROPERTY OF TREBOR  
MANUFACTURING. ANY UNAUTHORIZED REPRODUCTION  
WILL BE PROSECUTED TO THE FULL EXTENT OF THE LAW

UNLESS OTHERWISE SPECIFIED,  
DIMENSIONS ARE IN INCHES

.XX = ±.1-      ANGULAR = ±1°  
.XXX = ±.015-      FRACTIONAL = ±1/8  
.XXXX = ±.005-

THIRD ANGLE PROJECTION



DRAWN      SHAWN CROCKER      10/16/2021

MATERIAL

1/8 ALU CHECKER

PART NO.      TRID1224U      REV.      A

ONE DOOR RECESSED DOOR TOOL BOX - 24 X 12 X 24 - X1 T-HANDLE -  
OPEN UP - WITH 1.5IN FRAME

SIZE      A      DWG NO.      D12330      REV.      A

SCALE      1:12      WEIGHT      38.33 LB      SHEET      1 of 1

2

1