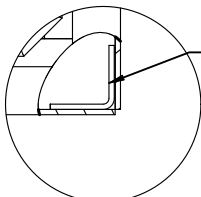
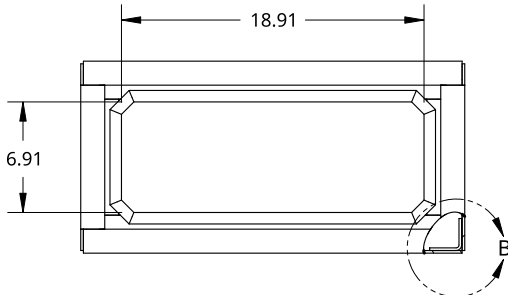


2

1

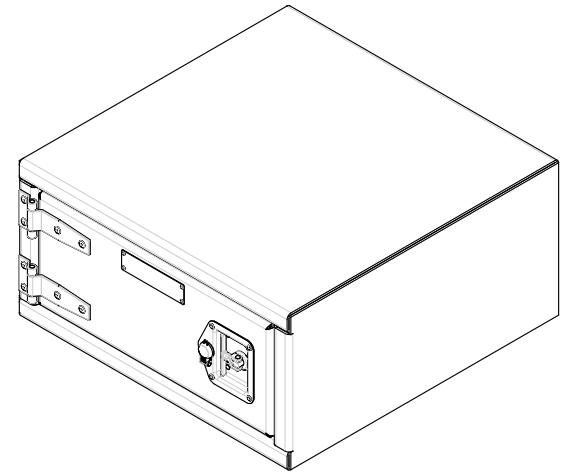
B

A

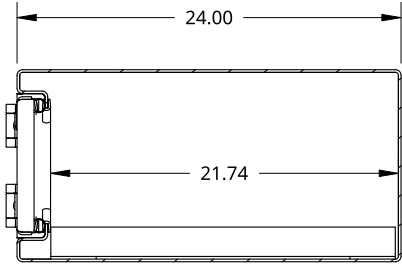
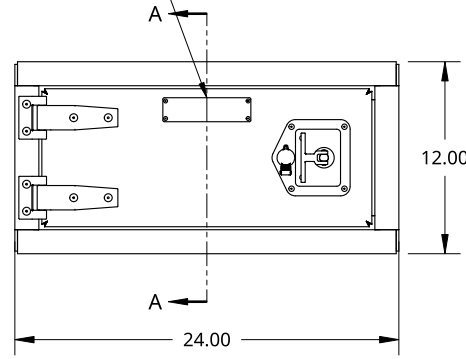


INNER REINFORCEMENT
ANGLE BOTH SIDES

DETAIL B
SCALE 1:6



SMALL SIZE TREBOR NAME PLATE



SECTION A - A

B

A

2

1

THIS DOCUMENT IS THE PROPERTY OF TREBOR
MANUFACTURING. ANY UNAUTHORIZED REPRODUCTION
WILL BE PROSECUTED TO THE FULL EXTENT OF THE LAW

UNLESS OTHERWISE SPECIFIED,
DIMENSIONS ARE IN INCHES
.XX = ±.1-
.XXX = ±.015- ANGULAR = ±1°
.XXXX = ±.005- FRACTIONAL = ±1/8

THIRD ANGLE PROJECTION



DRAWN SHAWN CROCKER 10/16/2021

MATERIAL

1/8 ALU CHECKER

PART NO. TRID1224L REV. A

ONE DOOR RECESSED DOOR TOOL BOX - 24 X 12 X 24 - X1 T-HANDLE -
OPEN LEFT - WITH 1.5IN FRAME

SIZE A DWG NO. D12328 REV. A

SCALE 1:12 WEIGHT 38.33 LB SHEET 1 of 1