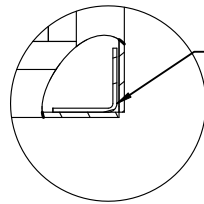
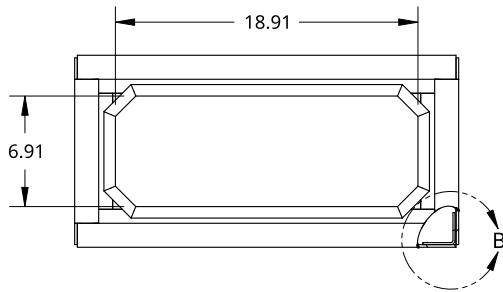


2

1

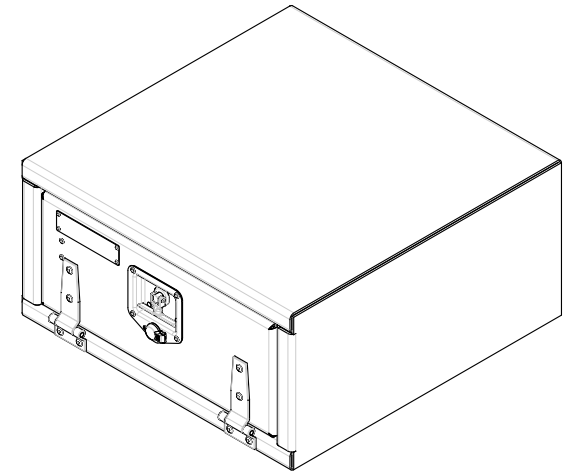
B

A

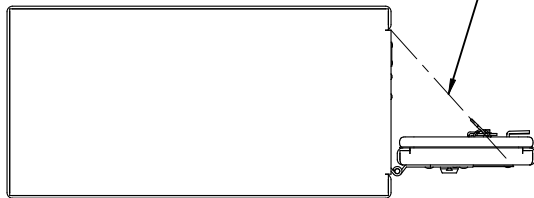


INNER REINFORCEMENT  
ANGLE BOTH SIDES

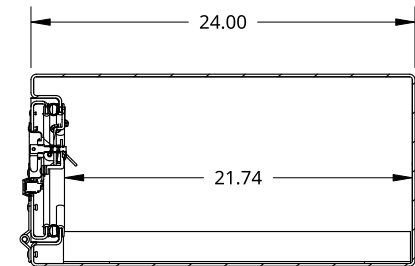
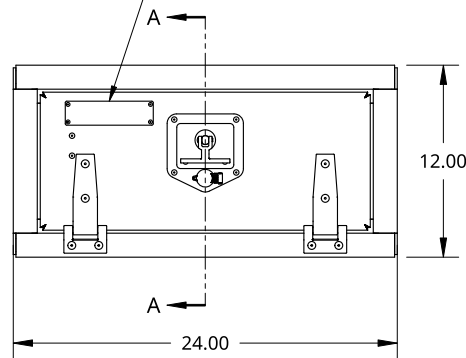
DETAIL B  
SCALE 1:6



X1 DOOR CHAIN TO HOLD  
DOOR AT 90 DEG.



SMALL SIZE TREBOR NAME PLATE



SECTION A - A

B

A

2

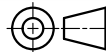
1

THIS DOCUMENT IS THE PROPERTY OF TREBOR  
MANUFACTURING. ANY UNAUTHORIZED REPRODUCTION  
WILL BE PROSECUTED TO THE FULL EXTENT OF THE LAW

UNLESS OTHERWISE SPECIFIED,  
DIMENSIONS ARE IN INCHES

.XX = ±.1-  
.XXX = ±.015- ANGULAR = ±1°  
.XXXX = ±.005- FRACTIONAL = ±1/8

THIRD ANGLE PROJECTION



|            |               |            |
|------------|---------------|------------|
| DRAWN BY   | SHAWN CROCKER | 08/01/2021 |
| CHANGED BY | SHAWN CROCKER | 12/01/2022 |

MATERIAL  
1/8 ALU CHECKER

PART NO. TRID1224 REV. C

ONE DOOR RECESSED DOOR TOOL BOX - 24 X 12 X 24 - X1 T-HANDLE -  
OPEN DOWN - WITH 1.5IN FRAME

SIZE A DWG NO. D9313 REV. C

|            |                 |              |
|------------|-----------------|--------------|
| SCALE 1:12 | WEIGHT 38.33 LB | SHEET 1 of 1 |
|------------|-----------------|--------------|