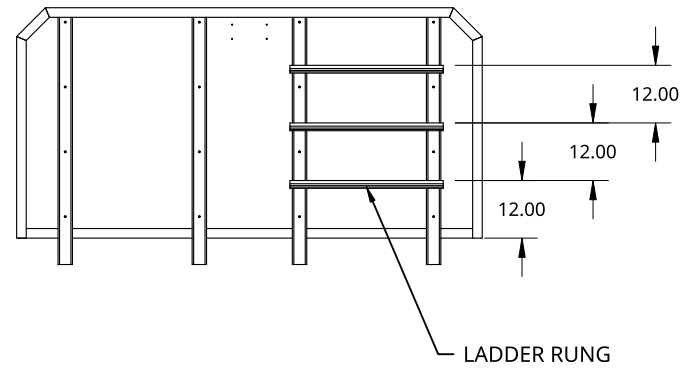
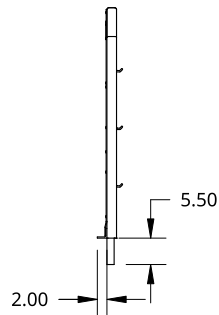
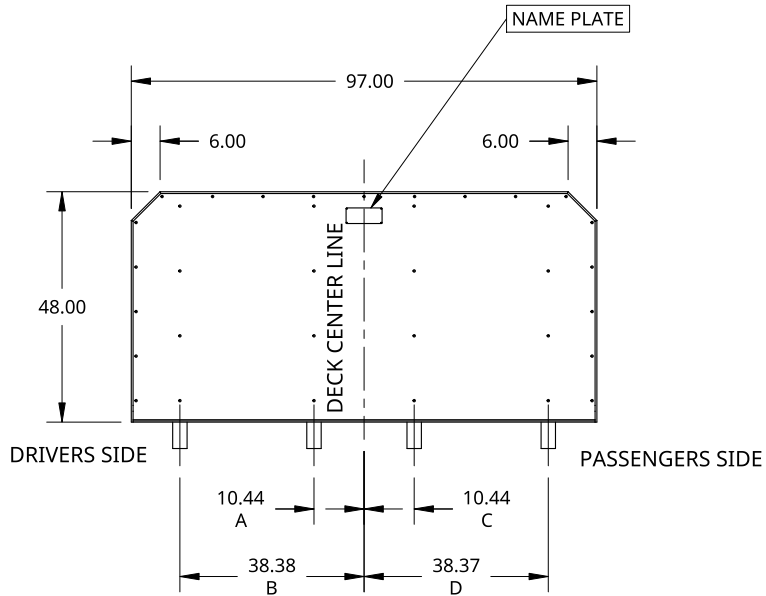


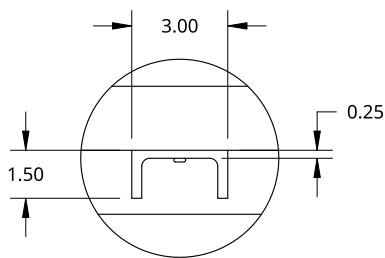
CUSTOMER DIMENSIONS	
DIMENSION	MEASURED SIZE
A	
B	
C	
D	



1/8 ALU CHECKER PANEL

CHANNEL - STRUC. 3 X 1.5 X 0.25

LADDER RUNG



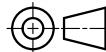
DETAIL A  
SCALE 1:6

THIS DOCUMENT IS THE PROPERTY OF TREBOR MANUFACTURING. ANY UNAUTHORIZED REPRODUCTION WILL BE PROSECUTED TO THE FULL EXTENT OF THE LAW

UNLESS OTHERWISE SPECIFIED, DIMENSIONS ARE IN INCHES

.XX = ±.1- ANGULAR = ±1°  
.XXX = ±.015- FRACTIONAL = ±1/8  
.XXXX = ±.005-

THIRD ANGLE PROJECTION



DRAWN SHAWN CROCKER 09/24/2021

MATERIAL

ALUMINUM

PART NO. TRHBLAD4897 REV. A

STANDARD TRAILER BULK HEAD - 1/8 ALU CHECKER PANEL - 48IN HIGH X 97IN WIDE - LADDER ON DRIVERS SIDE

SIZE A DWG NO. D11688 REV. A

SCALE 1:40 WEIGHT 130.92 LB SHEET 1 of 1