

2

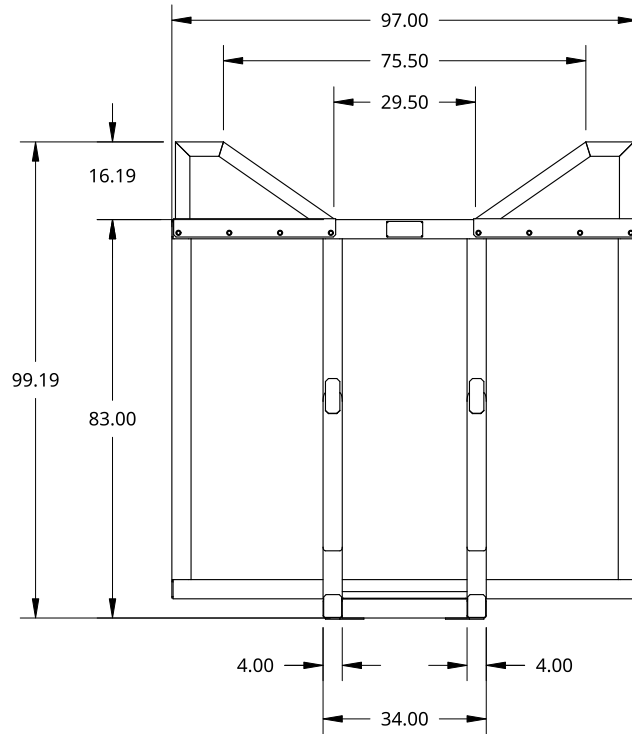
1

B

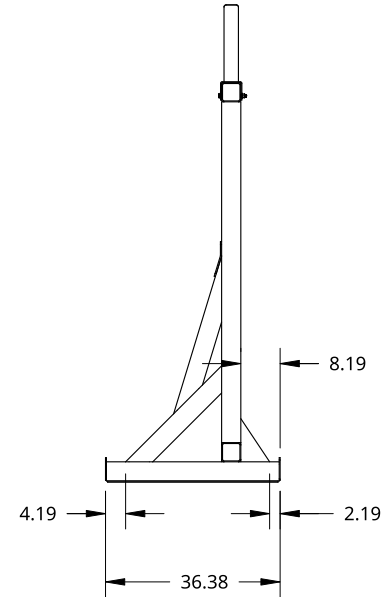
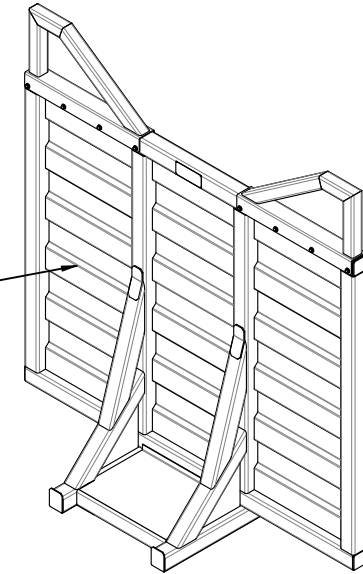
B

A

A



1 of ALU CHECKER



THIS DOCUMENT IS THE PROPERTY OF TREBOR MANUFACTURING. ANY UNAUTHORIZED REPRODUCTION WILL BE PROSECUTED TO THE FULL EXTENT OF THE LAW.

UNLESS OTHERWISE SPECIFIED, DIMENSIONS ARE IN INCHES

.XX = ±.1-

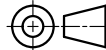
.XXX = ±.015-

.XXXX = ±.005-

ANGULAR = ±1°

FRACTIONAL = ±1/8

THIRD ANGLE PROJECTION



DRAWN SHAWN CROCKER 01/07/2021

MATERIAL

ALUM. 6061-T6

PART NO. TRFS9997SP

HEAVY DUTY CAB SHIELD FOR USE IN THE LOGGING TRANSPORT INDUSTRY

SIZE A DWG NO. D3084 REV. A

SCALE 1:40 WEIGHT SHEET 1 of 1

2

1