

2

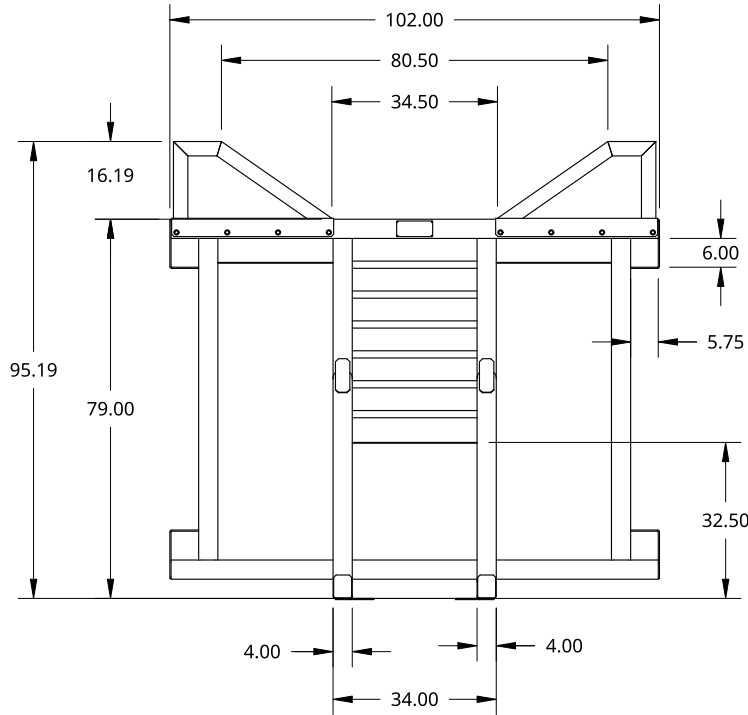
1

B

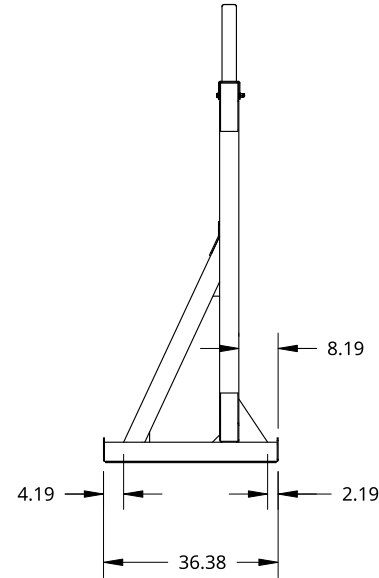
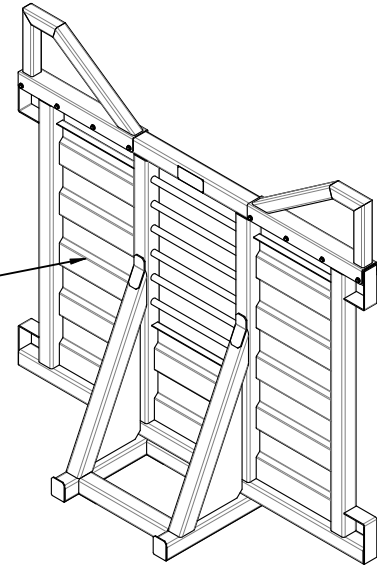
B

A

A



1 of ALU CHECKER

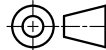


THIS DOCUMENT IS THE PROPERTY OF TREBOR MANUFACTURING. ANY UNAUTHORIZED REPRODUCTION WILL BE PROSECUTED TO THE FULL EXTENT OF THE LAW.

UNLESS OTHERWISE SPECIFIED, DIMENSIONS ARE IN INCHES

.XX = ±.1- ANGULAR = ±1°
.XXX = ±.015- FRACTIONAL = ±1/8
.XXXX = ±.005-

THIRD ANGLE PROJECTION



DRAWN SHAWN CROCKER 01/07/2021

MATERIAL

ALUM. 6061-T6

PART NO. TRFS79102
HEAVY DUTY CAB SHIELD FOR USE IN THE LOGGING TRANSPORT INDUSTRY

SIZE	DWG NO.	REV.
A	D3087	A
SCALE	WEIGHT	SHEET
1:40	371.06 LB	1 of 1

2

1